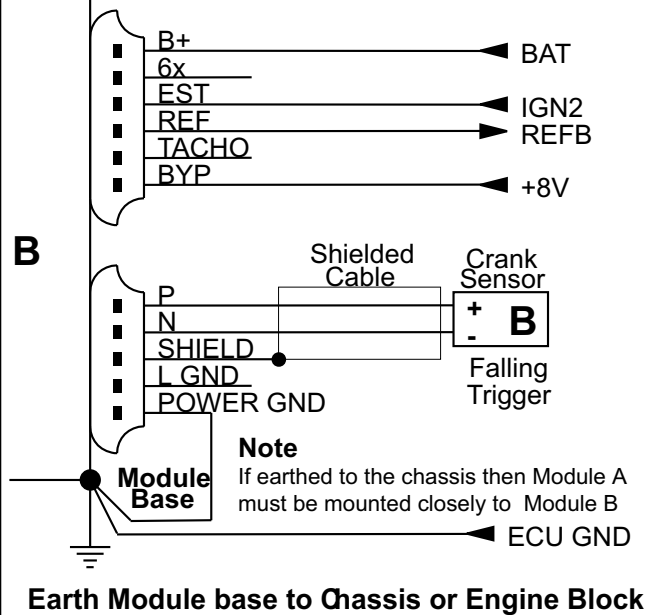


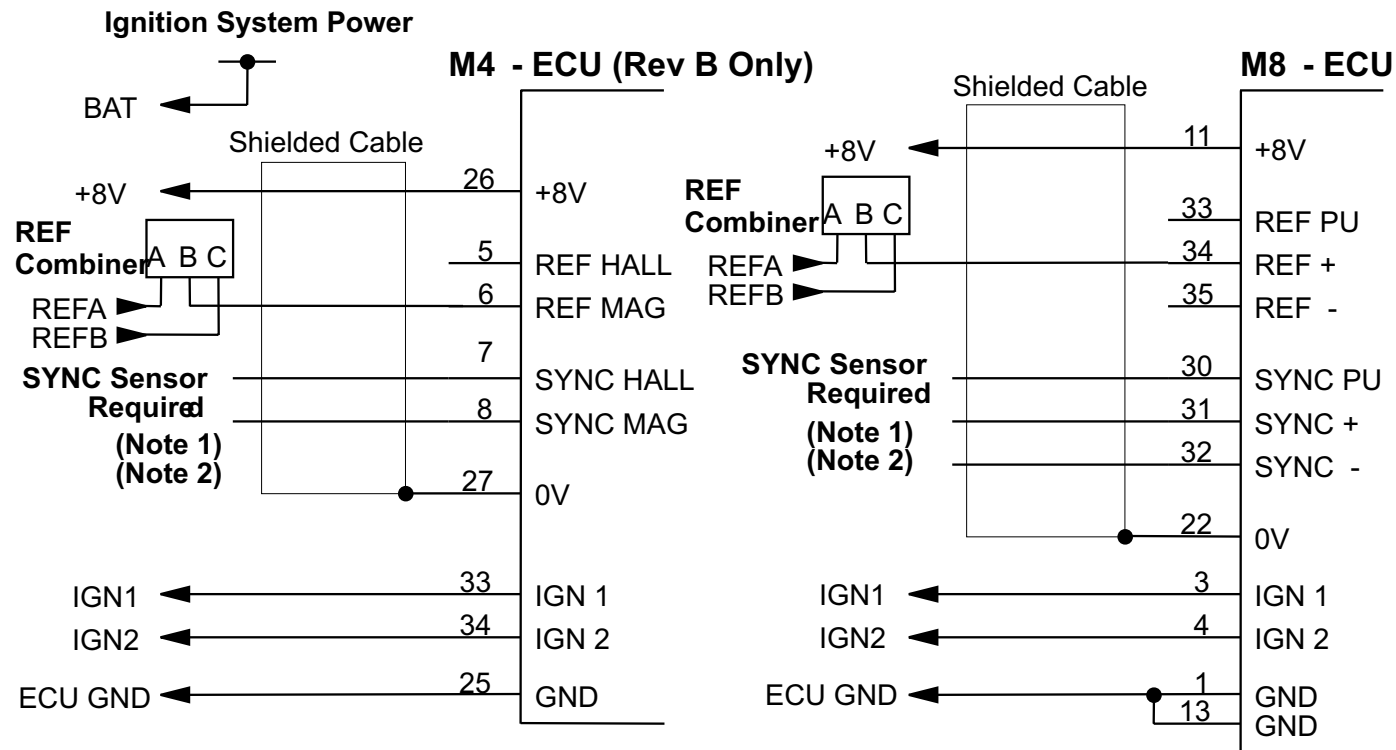
Earth Module base to Chassis or Engine Block



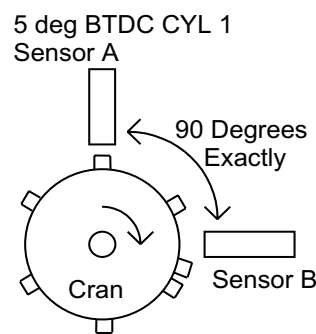
Earth Module base to Chassis or Engine Block

Note If earthed to the chassis there must be a heavy cable between the chassis and engine block

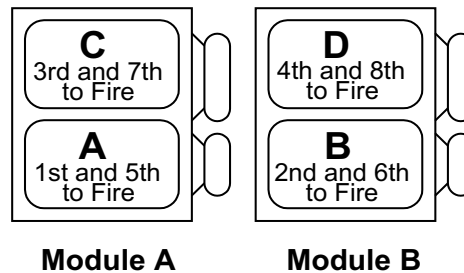
Note If the modules are attached to the engine block they must be mounted on a bracket in a well ventilated Area



Software Version	M4 : V3.0 or higher	M8 : V3.1 or higher
-------------------------	----------------------------	----------------------------



Coil Firing Sequence



Setup	M4 Only	rfSn	3
		SYSn	*
		rEF	3 or 4 *
		cr t	0
		criP	65
		ign	1
	COIL	2	
	dELL	3.0	

* Depends on SYNC Sensor

Note 1 The Wiring to the SYNC sensor depends on the Sync sensor type

Note 2 The SYNC sensor must generate an active edge between 80 and 140 deg BTDC (110 Nominal)

MoTeC

Title Dual Delco 4 CYL DFI for 8 CYL

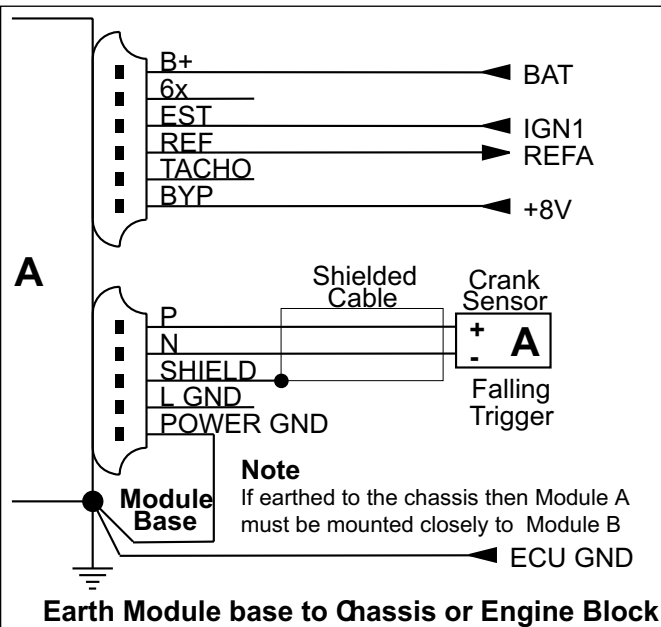
Date 30/10/2001 Drawn ST App Products ECU

Sheet No

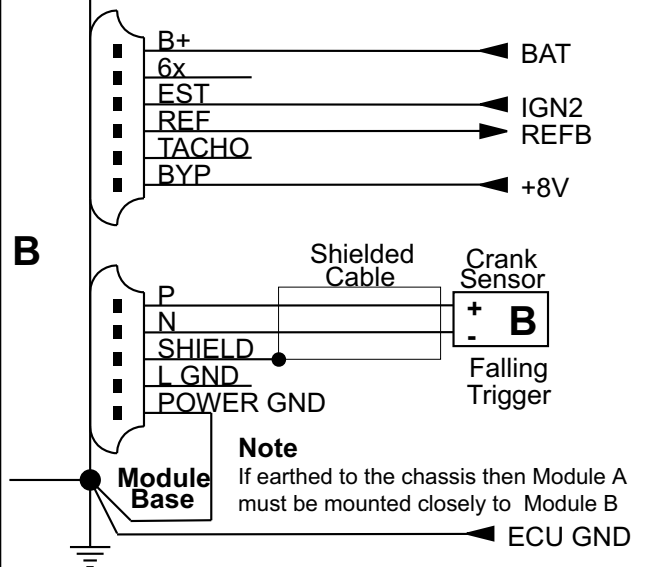
1 of 2

Drawing No

S18



Earth Module base to Chassis or Engine Block

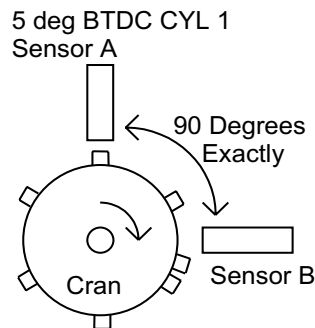
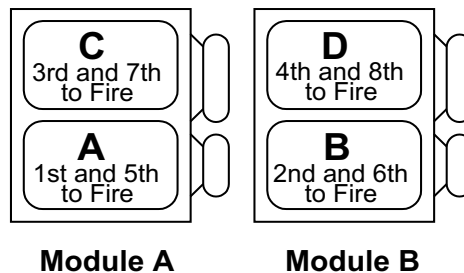


Earth Module base to Chassis or Engine Block

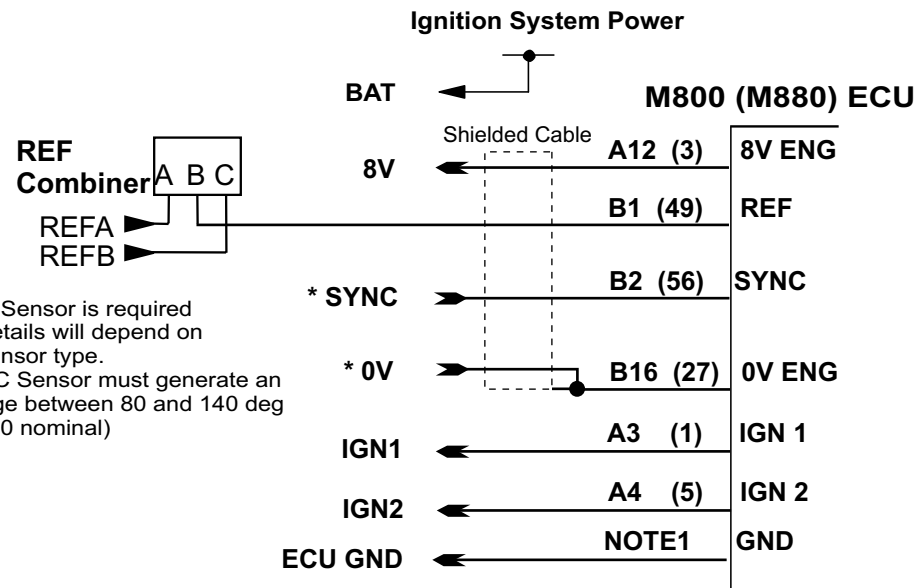
Note If earthed to the chassis there must be a heavy cable between the chassis and engine block

Note If the modules are attached to the engine block they must be mounted on a bracket in a well ventilated Area

Coil Firing Sequence



*A SYNC Sensor is required
Wiring details will depend on
SYNC sensor type.
The SYNC Sensor must generate an
active edge between 80 and 140 deg
BTDC (110 nominal)



Note1:
M800 Ground pins are A10 and A11
M880 Ground pins are 14, 15, 19, 20, 21, 22

Sensor Setup - REF/SYNC Sensor Setup

REF Sensor Type	Logic Level		
REF Sensor Edge	Fall		
REF Sensor Filter	1.0		
SYNC Sensor Type	*		
SYNC Sensor Edge	*		* Depends on SYNC Sensor
SYNC Sensor Filter	*		

General Setup - Main Setup

REF / SYNC Mode	1		
Crank Ref Teeth	0		
Crank Index Position	65		
Ign	Fall		
COIL	2		
DELL	3.0		

MoTeC

Title Dual Delco 4 CYL DFI for 8 CYL

Date 30/10/2001

Drawn ST

App

Products ECU

Sheet No

2 of 2

Drawing No

S18