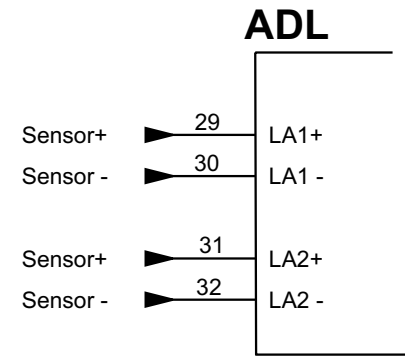
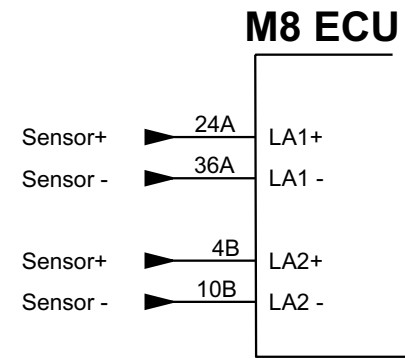
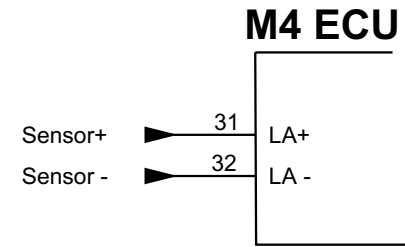


(Note1)



Note 1
 Normally the Heater must be connected to maintain correct operating temperature.
 In extreme cases where the exhaust temperature will exceed 800 deg C for a significant amount of time the heater element should NOT be connected.

ECU Setup
 M4 V3.3 and Above
 M8 V3.6 and Above
 Select "Motec Wide Band" in the Sensor Setup Screen

ADL Setup
 1. Choose a lambda Channel
 2. Select "MoTeC Wide Band" in the calibration menu

Specifications

Operating Temp Range
 250 to 800 degC (Heater ON)
 400 to 930 degC (Heater OFF)

Life Time (Approx)
 > 500 Hrs (Unleaded Fuel)
 > 50 Hrs (Leaded Fuel)

Thread Type
 M18 x 1.5

Heater Voltage Range
 12V to 14V

Heater Current
 1.5 A (Hot)
 5.0 A Max (Cold)

Operating Information
 See Technical Note TN16



Title Wide Band Lambda Sensor				Sheet No	Drawing No
Date 23/03/98	Drawn ST	App	Products ADL, ECU	1 of 1	X03