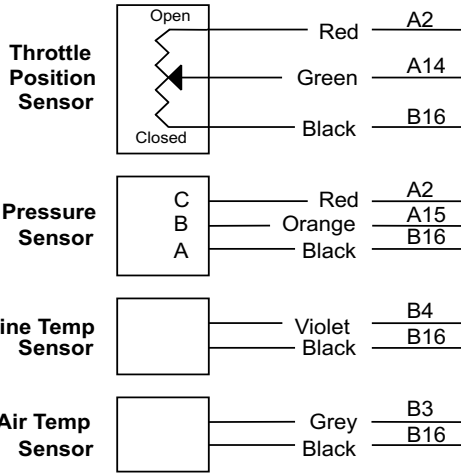
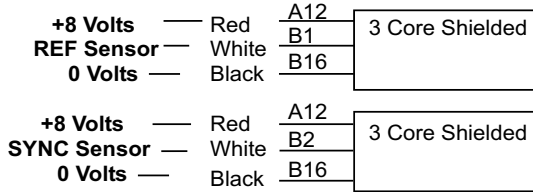


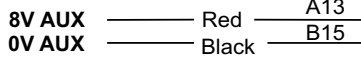
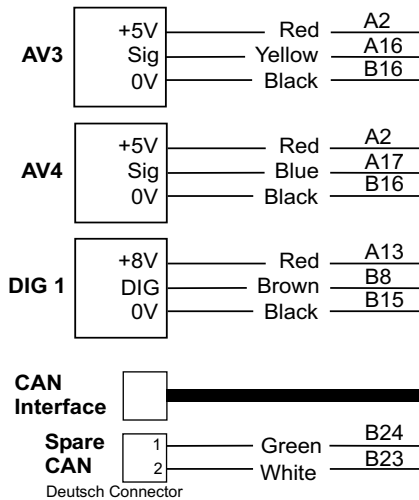
Engine Sensors



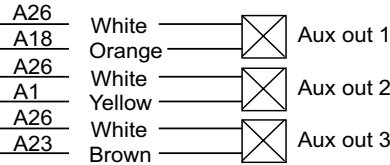
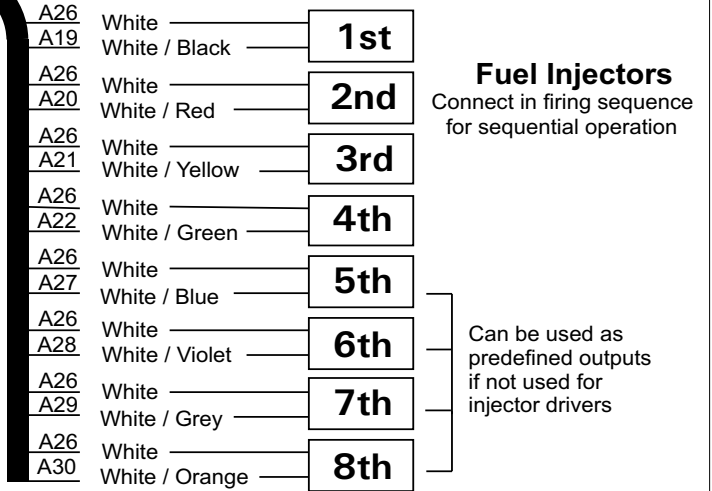
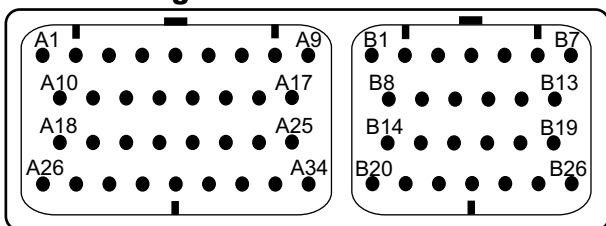
Note:
 Refer to the detailed drawings for the particular trigger system



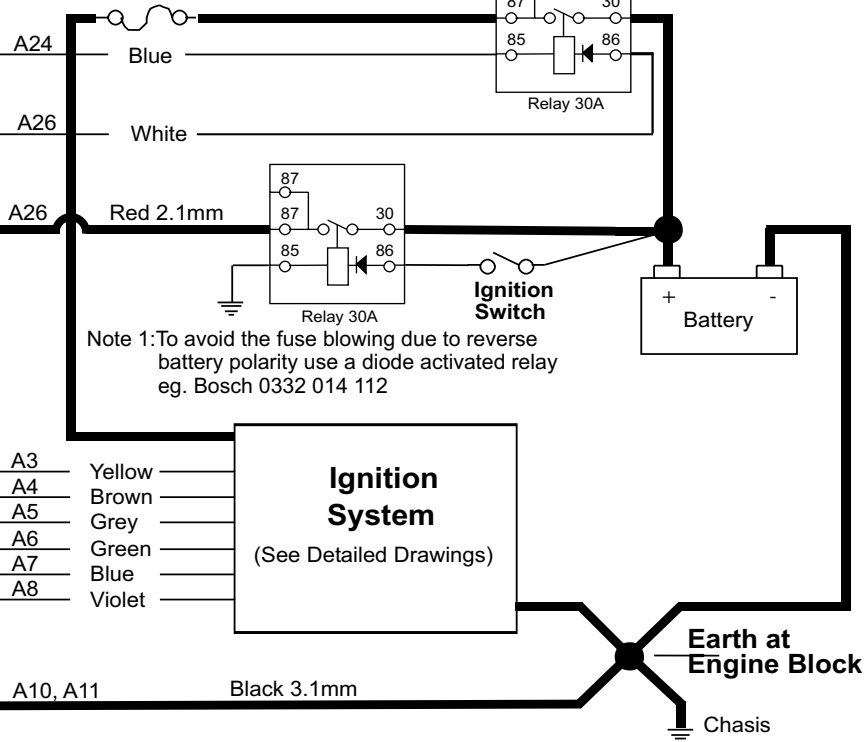
Note: Do not connect the shield to ground at the sensor end.



Looking into Connector on ECU



Fuel Pump
 (Relay connected to AUX output 4)



ECU Fuse20A
 Note: The Fuse is essential to ensure that the ECU is not damaged by reversed battery polarity

MoTeC