



ETHERNET TO AUTOSPORT CONNECTOR CABLE 0.5 METRE



Most MoTeC devices need to be connected to a PC or laptop for configuration and data download.

This short-length Ethernet to Autosport adaptor enables the connection of a standard RJ45 network cable from the PC or laptop to the ADL3/EDL3/C185/C187/C1812 or SDL3 looms.

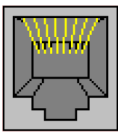
A longer 1.8m cable is also available (P/N #61132).

► SPECIFICATIONS

- Length: 0.5 metres
- Weight: 54g
- Connector: RJ45 with mounting capability
- Terminated with Autosport connector pins
- IP67 when used correctly with applicable MoTeC products
- Withstands continuous operation up to 85 degrees Celsius

► ETHERNET PINOUTS (REV A)

This pinout is suitable for cables identified as **Revision: A** on the affixed label.

RJ45				M170		M182/M190		ADL3/EDL3/C185/ C187/C1812		SDL3	
Pin	Function	MoTeC Colour	Pin Numbering	Pin	Function	Pin	Function	Pin	Function	Pin	Function
1	Ethernet TX +	Orange - White	 Socket	55	Ethernet RX +	C33	Ethernet RX +	77	Ethernet RX +	24	Ethernet RX +
2	Ethernet TX -	Orange		61	Ethernet RX -	C26	Ethernet RX -	78	Ethernet RX -	9	Ethernet RX -
3	Ethernet RX +	Green		48	Ethernet TX +	C41	Ethernet TX +	67	Ethernet TX +	25	Ethernet TX +
6	Ethernet RX -	Green - White		47	Ethernet TX -	C34	Ethernet TX -	68	Ethernet TX -	10	Ethernet TX -

► **DIMENSIONS AND MOUNTING**

The RJ45 connector can be mounted to provide a convenient network cable connection in the vehicle. The other end terminates with pins that need to be plugged into the Autosport connector.

Measurements in mm.

