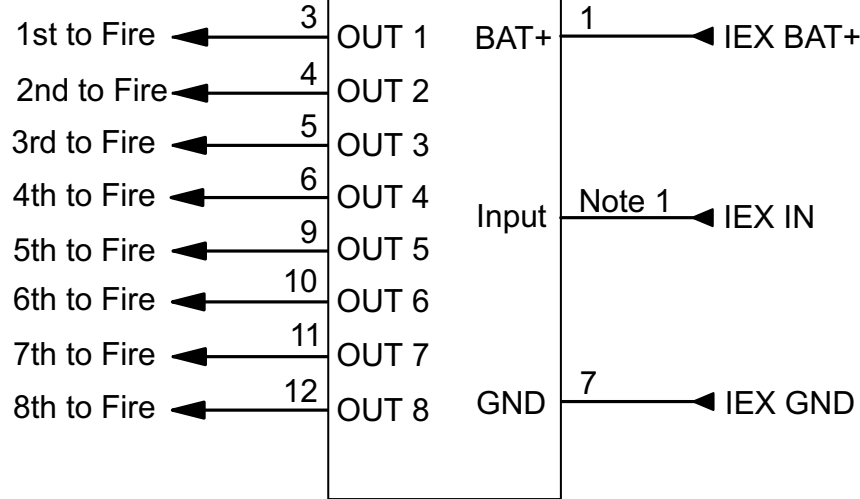


Wire to up to 8 Ignition Modules as per M4 wiring diagrams

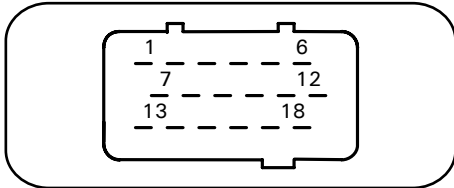
Ignition Expander



IMPORTANT
 Maximum Wiring distance between ECU and IEX is 500mm

Setup	ign	100
	COIL	Number of coils used Note 3
	dELL	Depends on coil

Looking into Connector on Ignition Expander



NOTE 1

Wire the ECU Ignition output to the IEX pin in the table

ECU	IEX PIN
M4 / M4-8	15
M8 / M800 / M880	16

Note 2

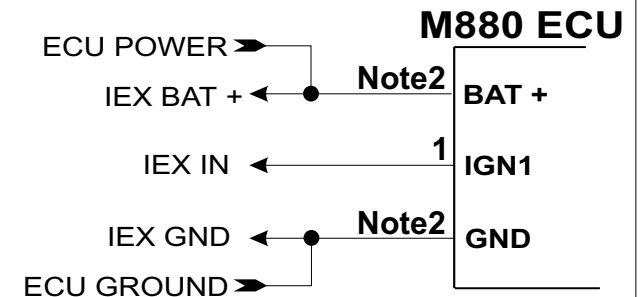
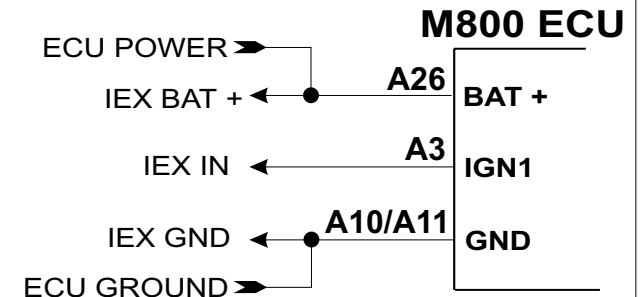
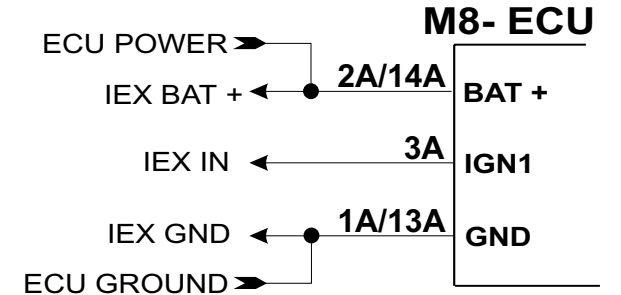
Power pins are 23, 32, 41
 Ground pins are 14, 15, 19, 20, 21, 22

Note 3

Single ended or double ended coils may be used

Software Version required

M4/M4-8: V3.9 or higher
 M8: V4.1 or higher
 M800/M880: V1.09B or higher



MoTeC

Title **MoTeC Ignition Expander**

Date 11/01/2002 Drawn ST App AD Products ECU

Sheet No Drawing No

1 of 1

A02