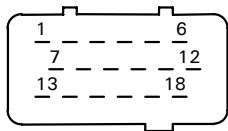
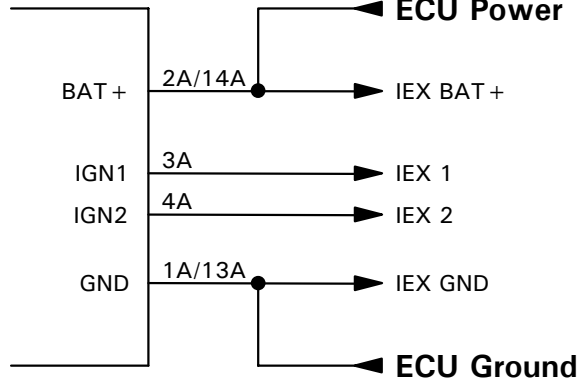
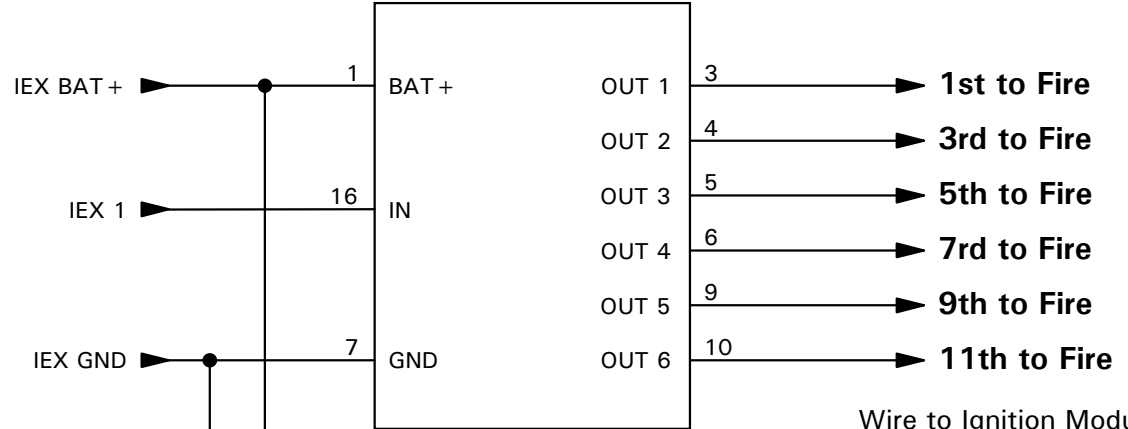


M8 ECU

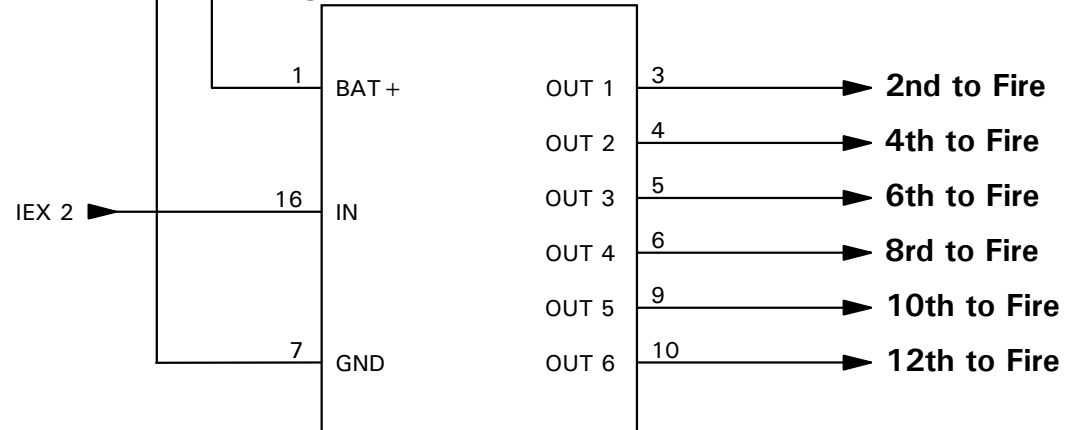


Ignition Expander 1



Wire to Ignition Modules as per M4 wiring diagrams

Ignition Expander 2



Software Version

M8 : V4.1 or higher

IMPORTANT

Maximum wiring distance between Ignition Expander and ECU 500mm

Setup	ign	100
	COIL	12
	dELL	To Suit Coil

MoTeC

Title Ignition Expander (12 Coils)

Sheet No

Drawing No

Date 1/8/1995

Drawn TW

App

Rev A

M8

A04