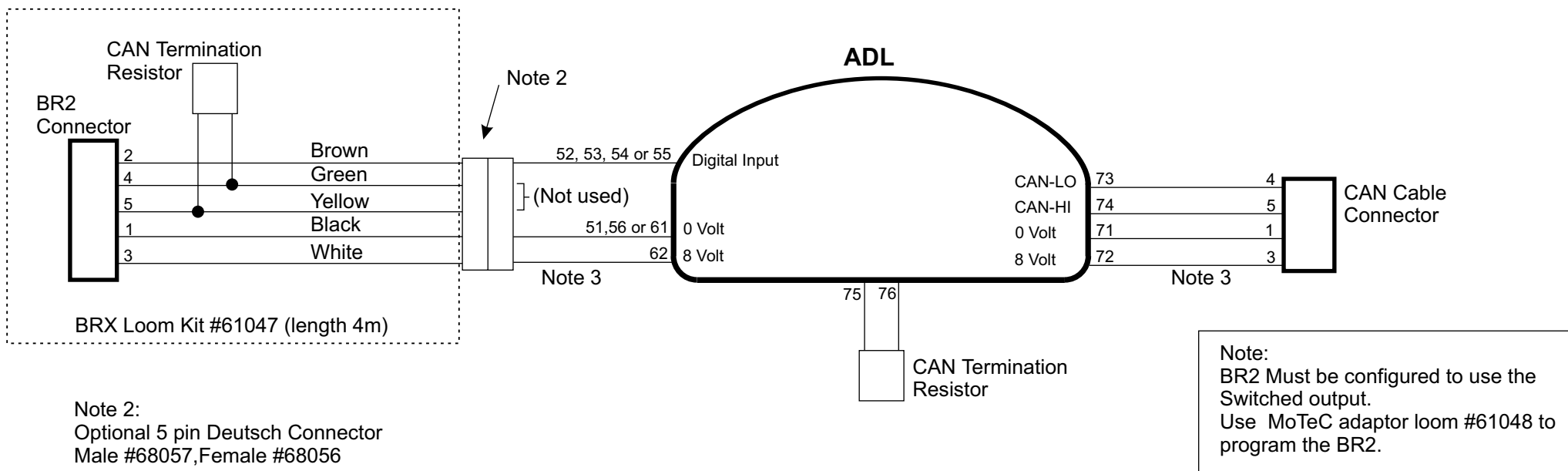


Note Wire colors for rev B loom

BR2 Connection to ADL using CAN

Note 3
These wires must be twisted minimum one twist per 50mm (2in).



Note 2:
Optional 5 pin Deutsch Connector
Male #68057, Female #68056
or
Use 3 pin Deutsch Connector
Male #68053, Female #68052 for
BRX to BR2 upgrade.
Insulate unused wires.

BR2 Connection To ADL using Switched Output

Note:
BR2 Must be configured to use the
Switched output.
Use MoTeC adaptor loom #61048 to
program the BR2.

MoTeC

Title **BR2 Connections**

Date 22/05/2003 Drawn ST App TW Products BR2

Sheet No Drawing No

1 of 1 **A15**