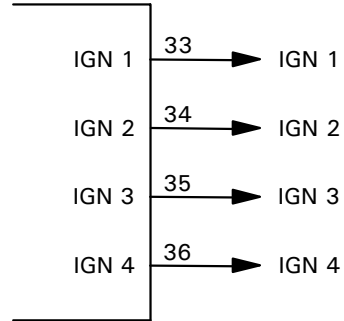
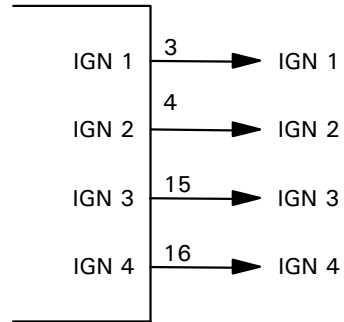


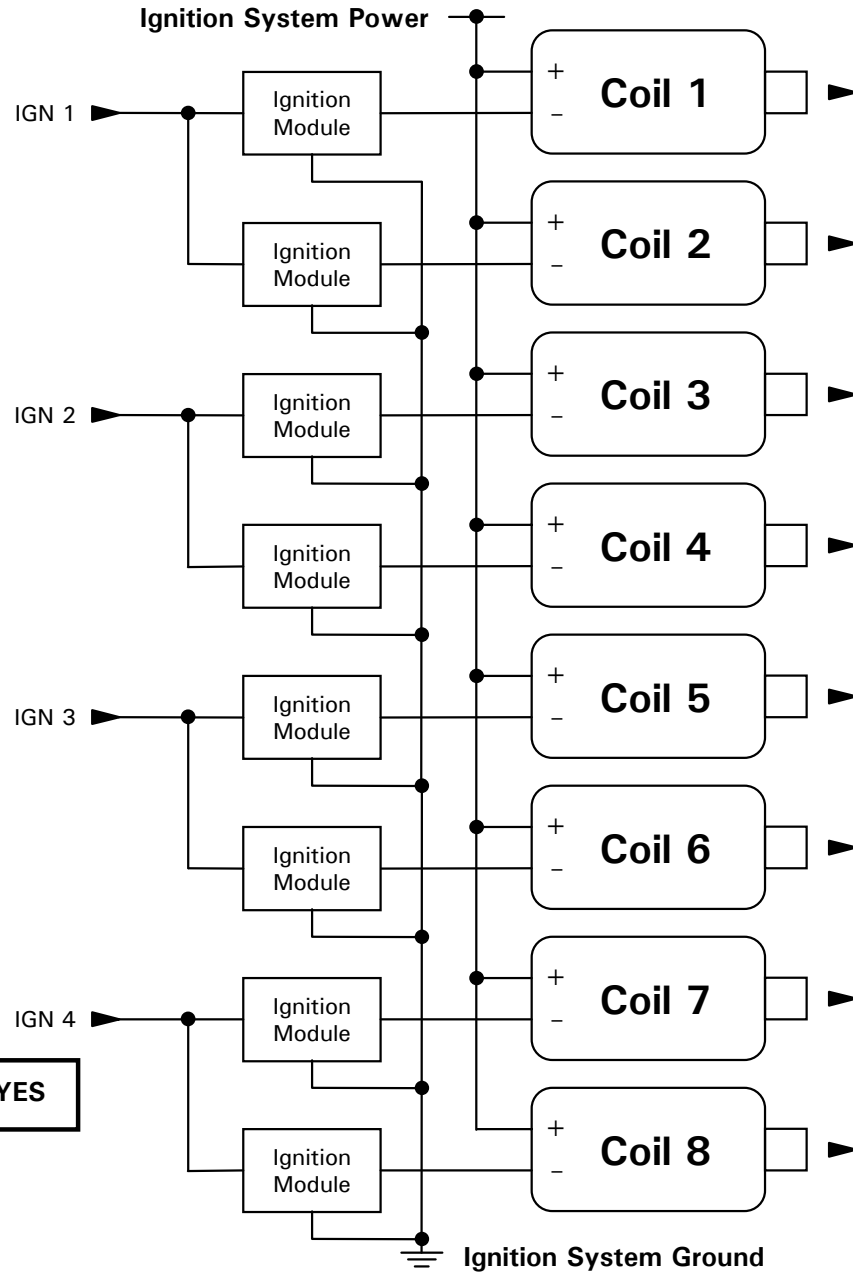
M4 - ECU



M8 - ECU



Ignition System Power



Firing Sequence

	8 Cyl	6 Cyl	4 Cyl
Coil 1	1st	1st	1st
Coil 2	5th	4th	3rd
Coil 3	2nd	2nd	2nd
Coil 4	6th	5th	4th
Coil 5	3rd	3rd	
Coil 6	7th	6th	
Coil 7	4th		
Coil 8	8th		

Synchronised Trigger System Required **YES**

Setup	Parameter	Value
	ign	Depends on Module
	COIL	Number of Cyls / 2
	dELL	Depends on Coil

MoTeC

Title **Multi Coil- Wasted Spark /Single Ended**
 Date 19/8/1994 Drawn TW App Rev A

Sheet No
M4/M8

Drawing No
M04