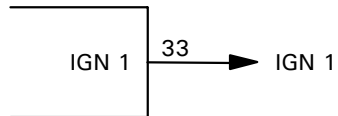
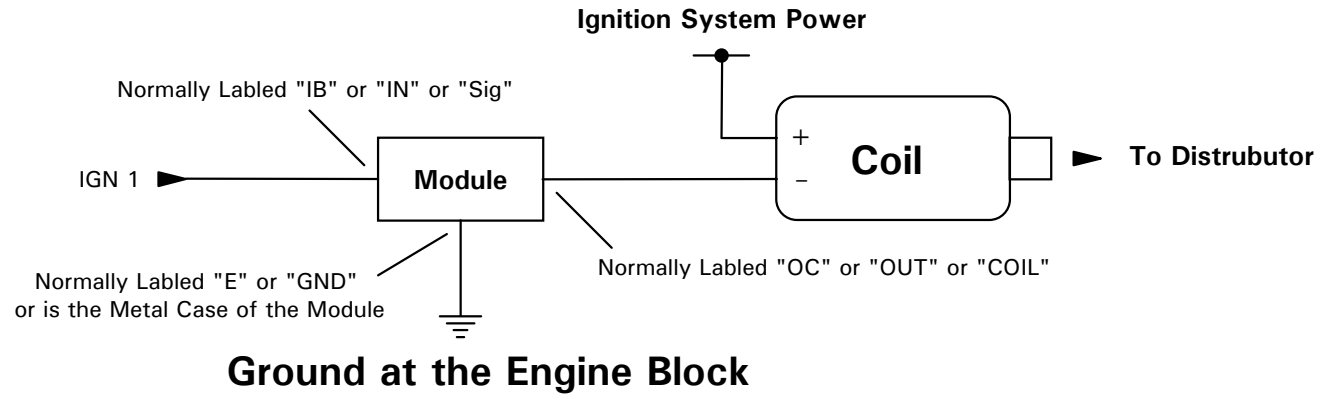
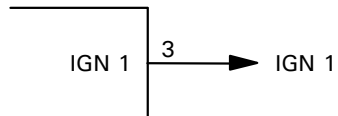


M4 - ECU



M8 - ECU



Note

For Multi coil use refer to drawings numbers :
M4/M8 - M02, M03 & M04

Note 1

The Setup Parameter dELL is dependant on the coil.
Refer to the Information for the particular coil.

Typically a value of 3.0 is suitable for normal coils.
For small coil on plug coils a value of 1.8 is typical.

Important Using an incorrect value may cause
overheating of the ignition module or a
weak spark

Setup	ign	1
	COIL	1
	dELL	Note 1

MoTeC

Title **2 & 3 Pin Transistor Modules**

Sheet No

Drawing No

Date 19/8/1994

Drawn TW

App

Rev A

M4/M8

M10