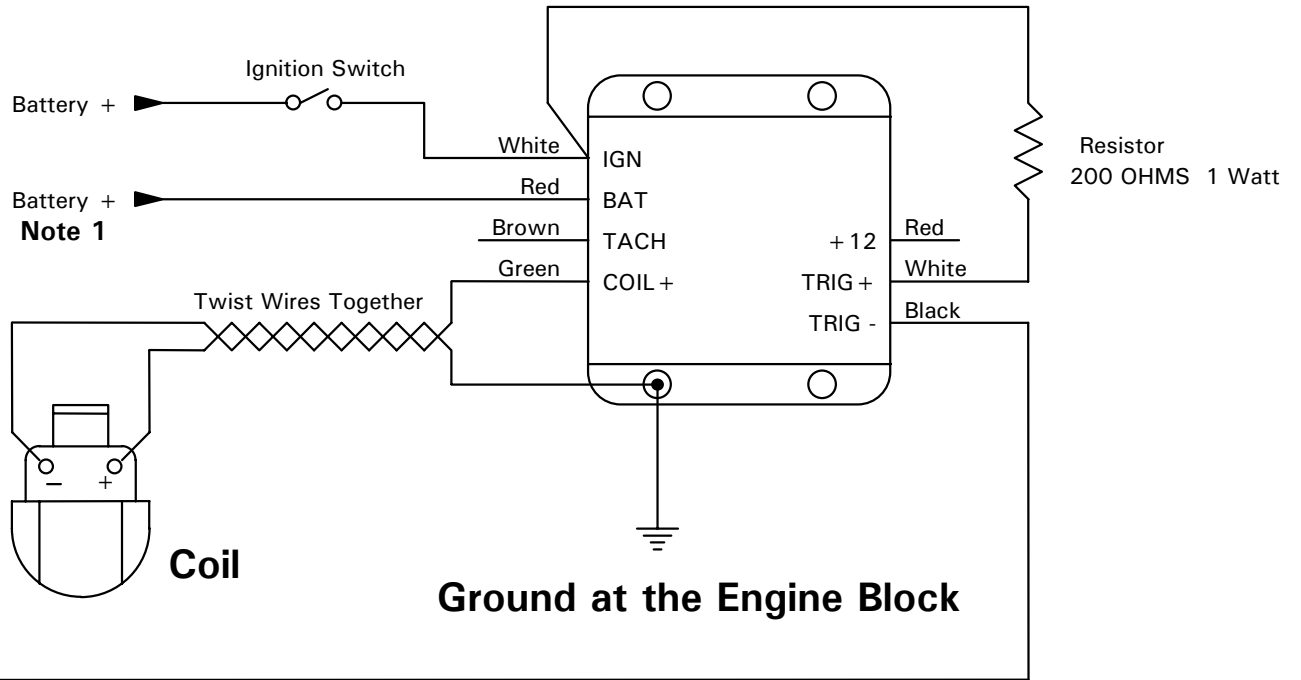


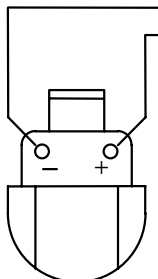
M4 - ECU



Battery + Ignition Switch

Battery +  
**Note 1**

Twist Wires Together



Coil

Ground at the Engine Block

Resistor  
200 OHMS 1 Watt

<b>Setup</b>	ign	1
	COIL	1
	dELL	0

**Note 1**

Use a 3 mm2 wire or heavier  
Connect directly to Battery Positive

**MoTeC**

Title **Mercury CDI (M4 ECU)**

Date 3/10/1994

Drawn TW

App

Rev C

Sheet No

**M4**

Drawing No

**M13**