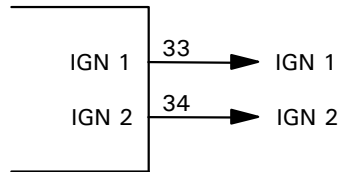
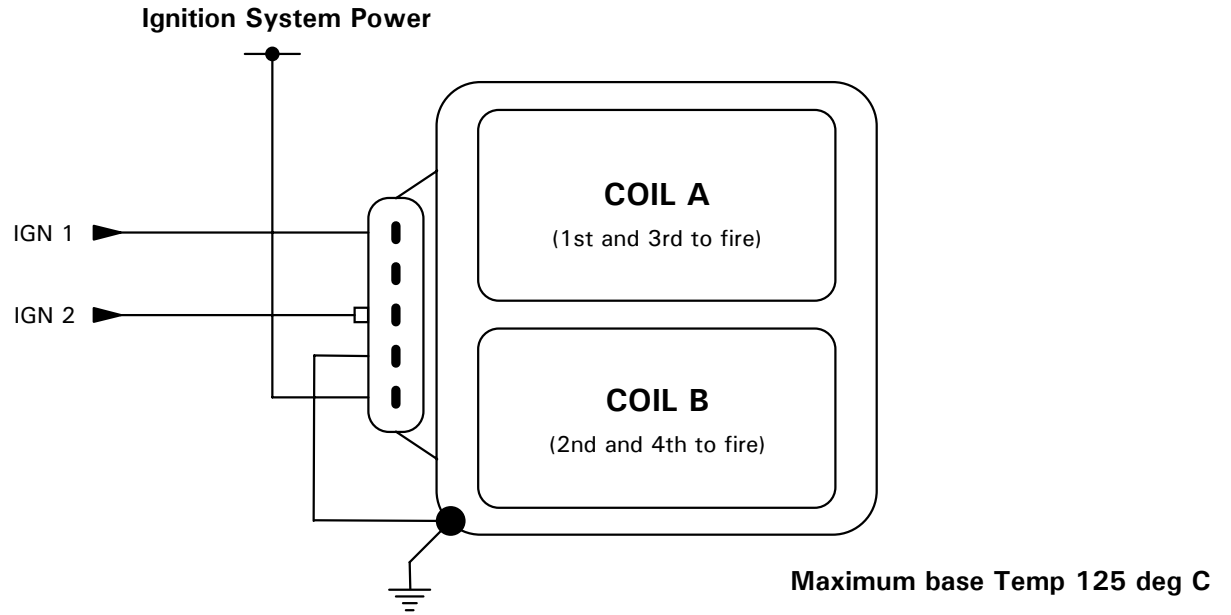
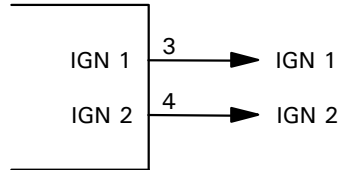


**M4 - ECU**



**M8 - ECU**



**Earth Module base to Chassis or Engine Block**

- Note** If earthed to the chassis there must be a heavy cable between the chassis and the engine block
- Note** If the modules are attached to the engine block they must be mounted on a bracket in a well ventilated area

<b>Setup</b>	ign	1
	COIL	2
	dELL	3.0