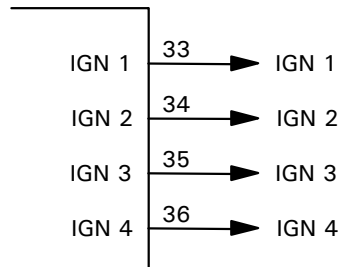
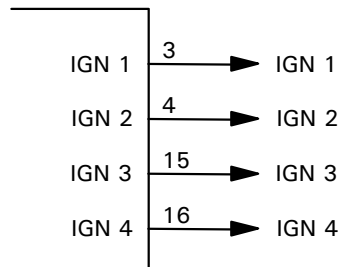


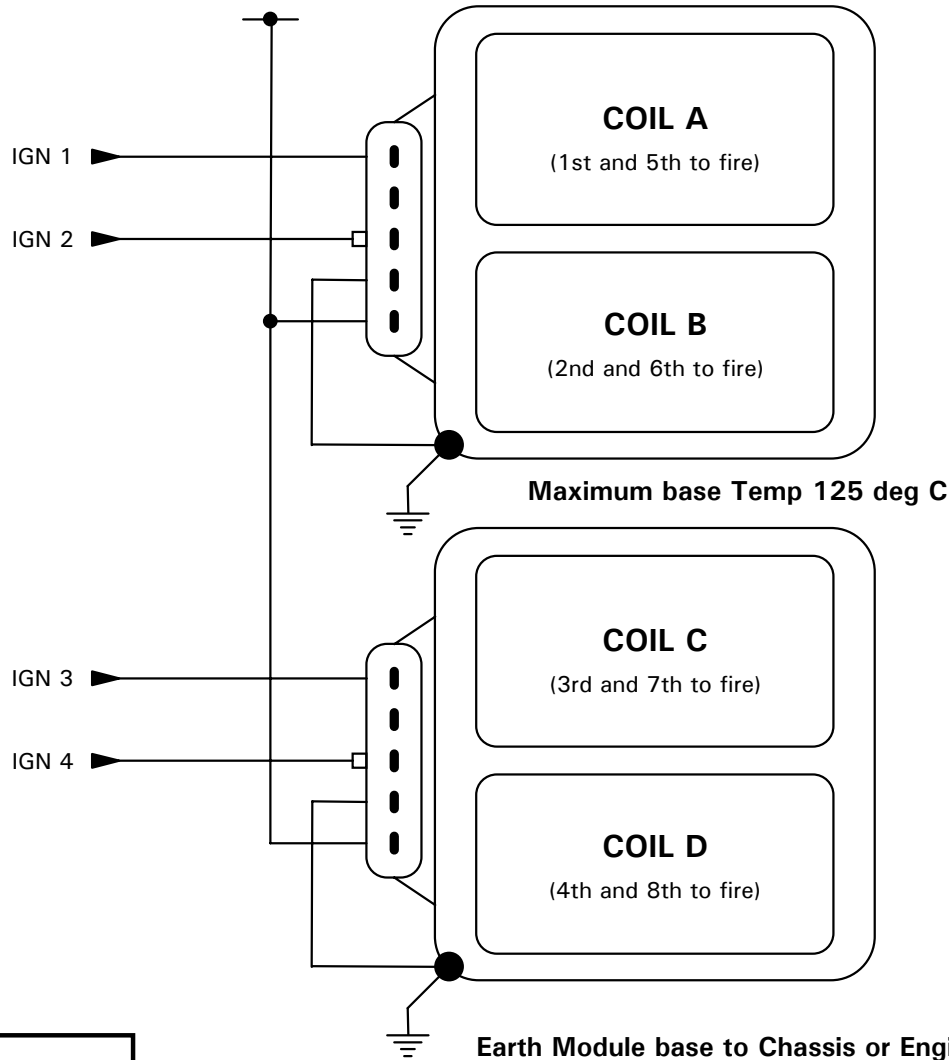
M4 - ECU (Not M4-8 ECU)



M8 - ECU



Ignition System Power



| | | |
|--------------|------|-----|
| Setup | ign | 1 |
| | COIL | 4 |
| | dELL | 3.0 |

Note If earthed to the chassis there must be a heavy cable between the chassis and the engine block

Note If the modules are attached to the engine block they must be mounted on a bracket in a well ventilated area

MoTeC

Title **Delco 4 Cyl DFI Modules for V8**

Sheet No

Drawing No

Date 11/05/1995

Drawn TW

App

Rev A

M4/M8

M23