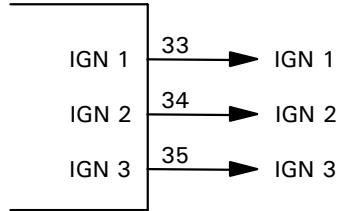
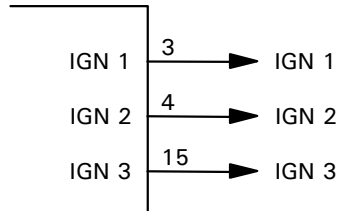


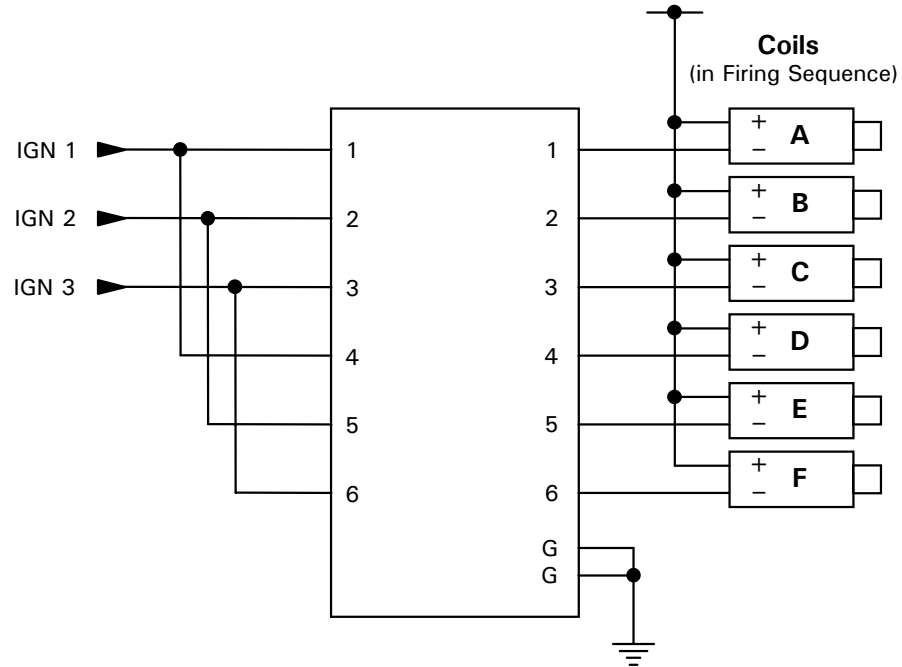
M4 - ECU



M8 - ECU



Ignition System Power



Ground at the Engine Block

Setup	ign	1
	COIL	3
	dELL	3.3