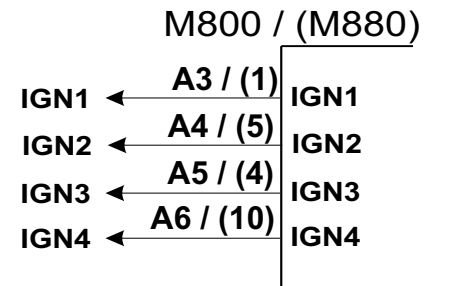
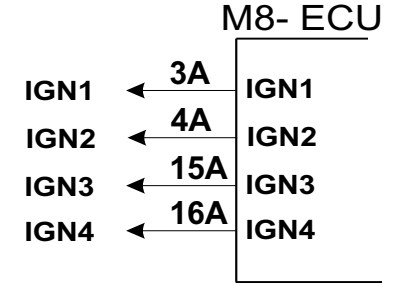
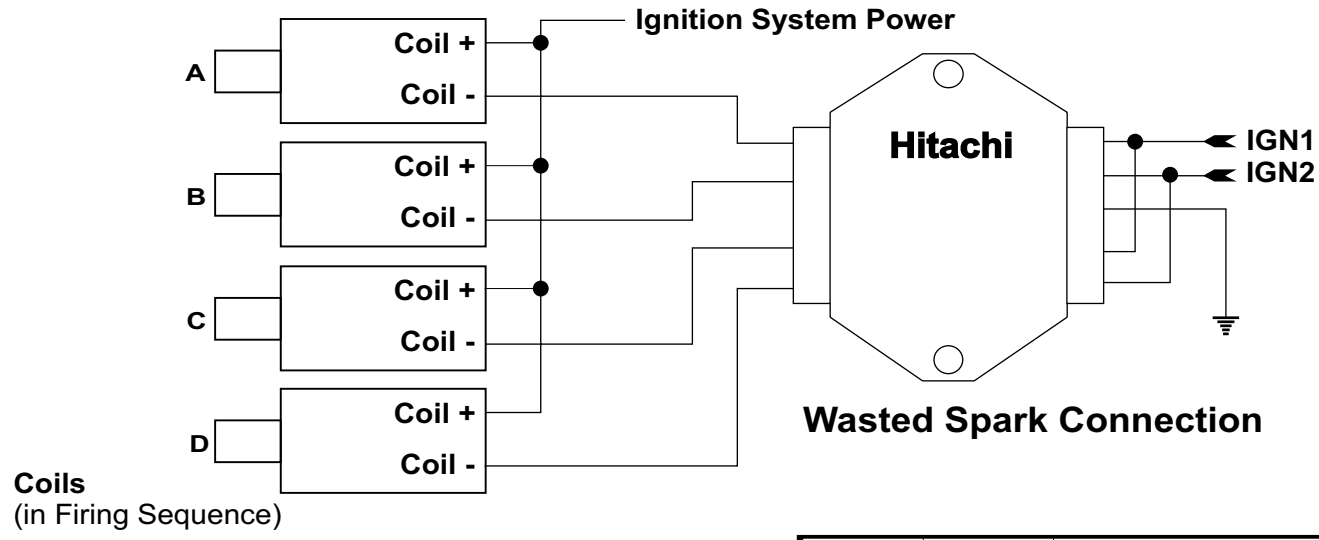
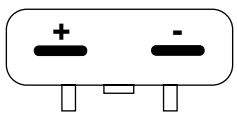


Note: M4-8 can only be used in Wasted Spark Connection.



Coils
(in Firing Sequence)



Setup	ign	1
	COIL	4 (normal connection) 2 (wasted spark connection)
	dELL	1.8 (standard coil)