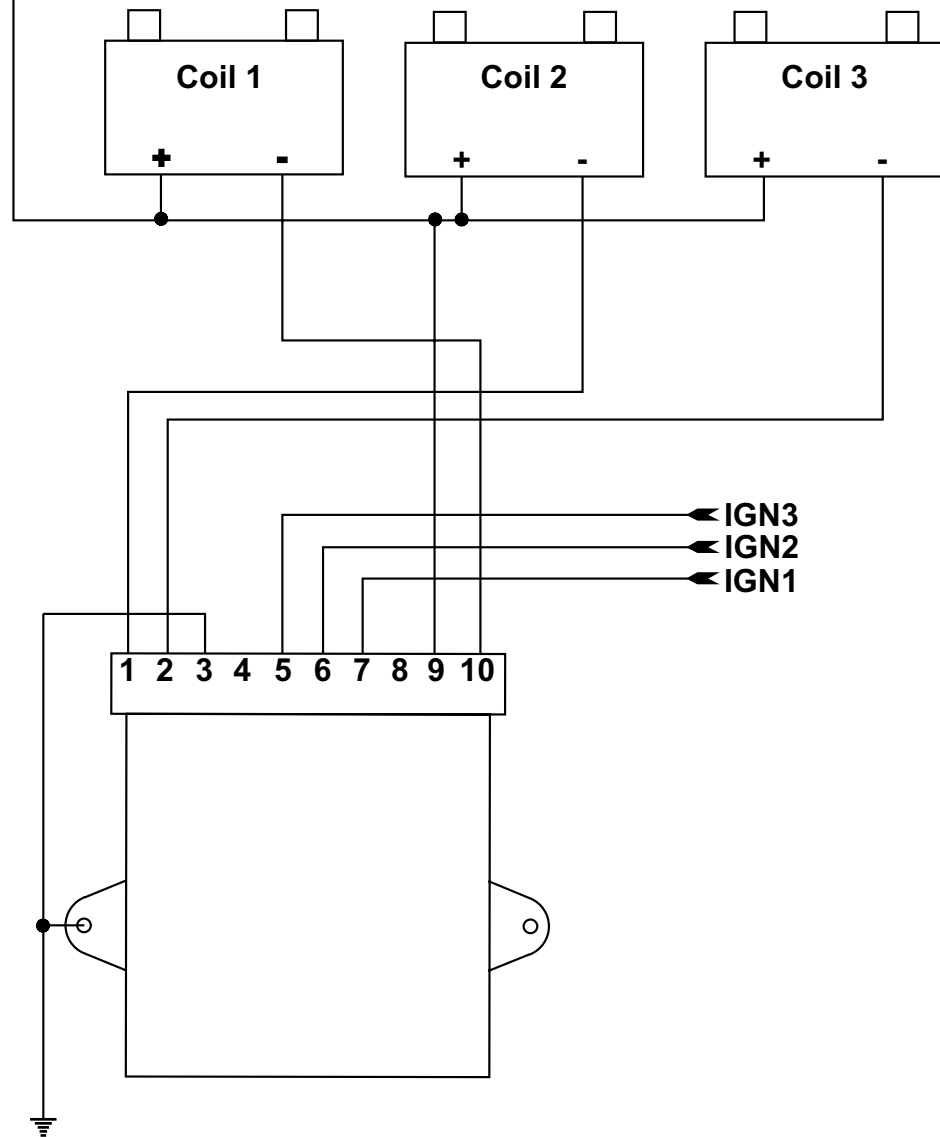
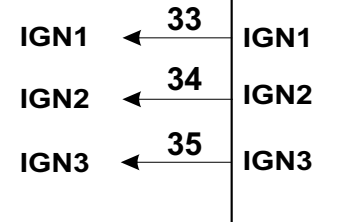


Ignition System Power

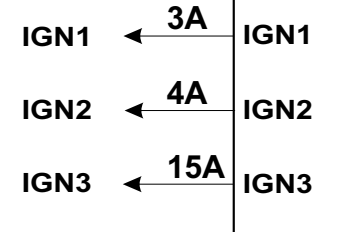


Ground at the Engine Block

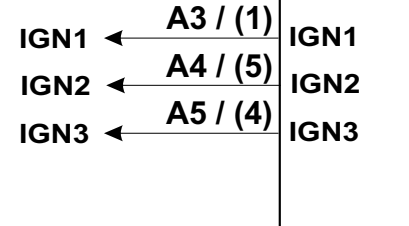
M4 ECU (NOT M4-8 ECU)



M8- ECU



M800 / (M880)



Setup	ign	1
	COIL	3
	dELL	Depends on coil

MoTeC

Title **TOYOTA 6 Cyl MODULE**

Date 03/12/2001 Drawn ST App AD Products ECU

Sheet No

1 of 1

Drawing No

M31