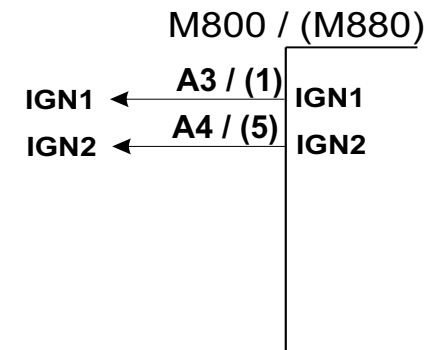
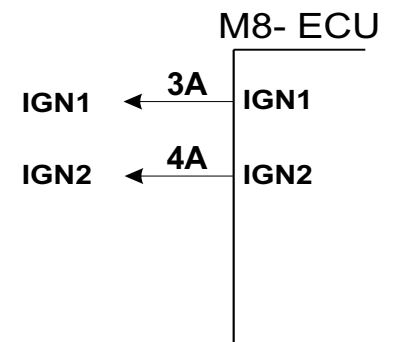
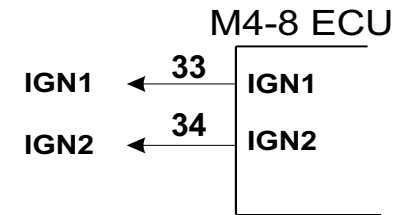
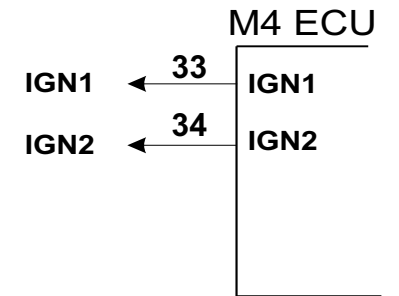


Suitable Coils :
Bosch MEC717 or MEC718



Note
For multi coil use refer to drawing numbers
M4/M8 - M02, M03 & M04

	ign	1
Setup	COIL	2
	dELL	Note 1

Note1
The setup parameter dELL is dependant on the coil
Typically a value of 3.0 is suitable for normal coils
and 1.8 for small 'coil on plug' coils.

Important:

Using an incorrect value may cause overheating
of the ignition module or weak spark

MoTeC

Title **DUAL SIEMENS MODULE 7700853731**

Date 17/10/2002

Drawn ST

App AD

Products ECU

Sheet No

1 of 1

Drawing No

M39