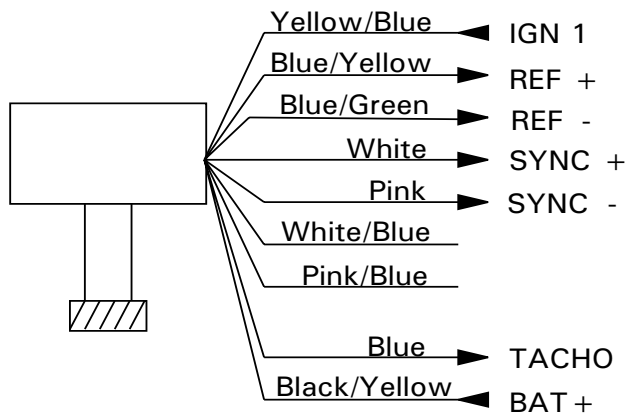
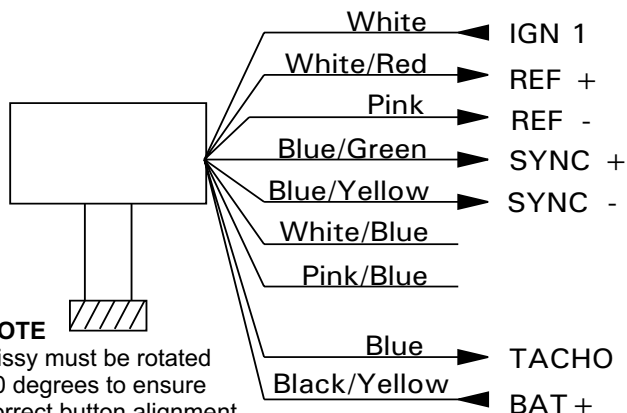


Pinout Type A

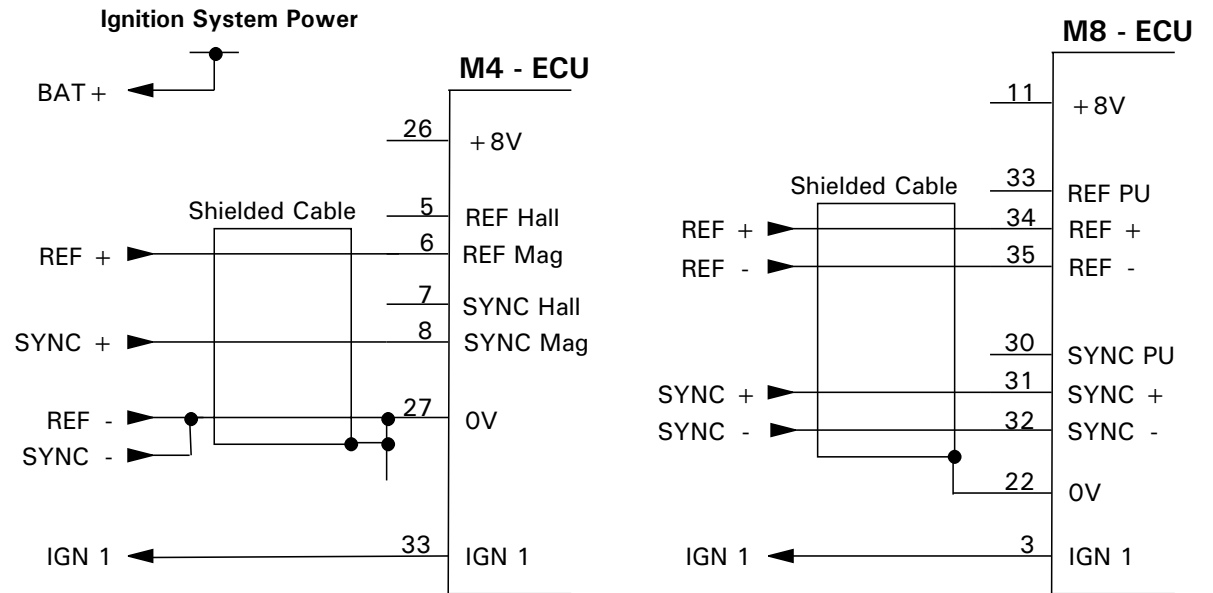


Pinout Type B



NOTE
Dissy must be rotated 30 degrees to ensure correct button alignment

Pinout Type C



Engine Type	VTEC 16 Tooth	VTEC 24 Tooth	VTEC 16 Tooth Clockwise			
Pinout Type	A	B	C			
Setup	M4 Only	rfSn	2	2	2	
		SYSn	2	2	2	
		rEF	14	14	13	
		cr t	8	12	8	
		criP	545	90	190	
		ign	2	2	2	
		COIL	1	1	1	
		dELL	3.0	3.0	3.0	

MoTeC

Title Honda Magnetic + Module

Date 30/10/2001

Drawn ST

App

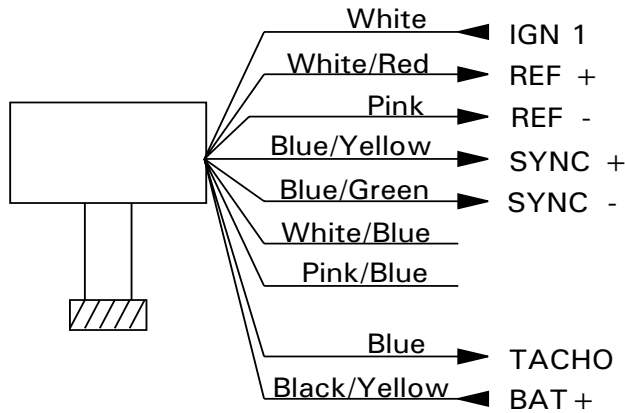
Products ECU

Sheet No

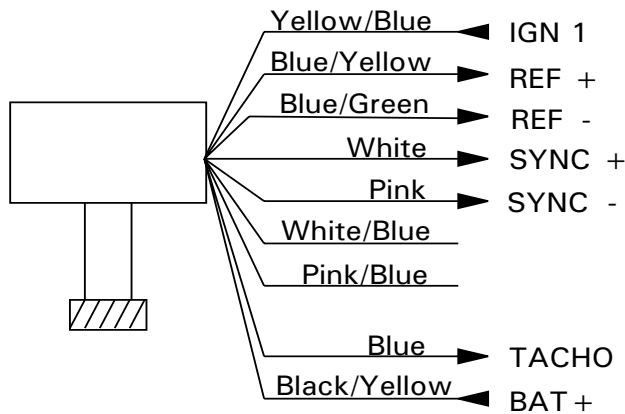
Drawing No

1 of 2

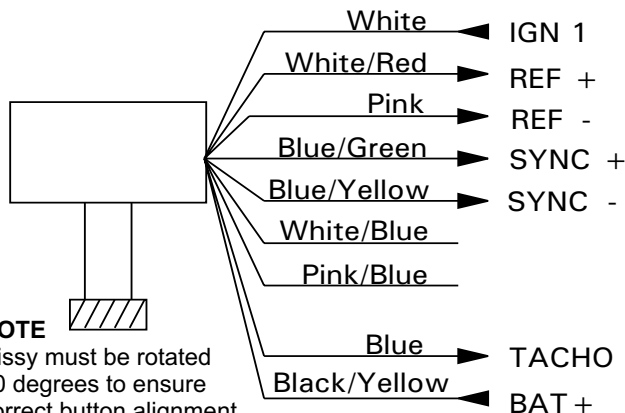
S10



Pinout Type A



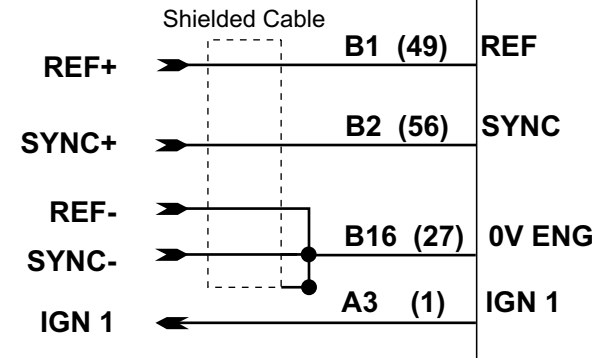
Pinout Type B



Pinout Type C

NOTE
Dissy must be rotated 30 degrees to ensure correct button alignment

M800 (M880) ECU



Engine Type	VTEC 16 Tooth	VTEC 24 Tooth	VTEC 16 Tooth Clockwise	
Pinout Type	A	A	C	

Sensor Setup - REF/SYNC Sensor Setup

REF Sensor Type	Magnetic	Magnetic	Magnetic	
REF Sensor Edge	Fall	Fall	Fall	
REF Sensor Filter	1.0	1.0	1.0	
SYNC Sensor Type	Magnetic	Magnetic	Magnetic	
SYNC Sensor Edge	Fall	Fall	Rise	
SYNC Sensor Filter	1.0	1.0	1.0	

General Setup - Main Setup

REF / SYNC Mode	2	2	2	
Crank Ref Teeth	8	12	8	
Crank Index Position	545	90	190	
Ign	Rise	Rise	Rise	
COIL	1	1	1	
DELL	3.0	3.0	3.0	

Magnetic Sensor Tables (Sensor Setup - Ref / Sync Setup)

REF / SYNC RPM Site	0	500	1000	7000	7000	RPM
Ref Magnetic Levels	0.2	1.0	2.0	2.0	N/A	Volts
SYNC Magnetic Levels	0.2	1.0	2.0	2.0	N/A	Volts

Note: Magnetic Sensor levels may need to be adjusted in some applications

MoTeC

Title Honda Magnetic + Module

Date 30/10/2001

Drawn ST

App

Products ECU

Sheet No

Drawing No

2 of 2

S10