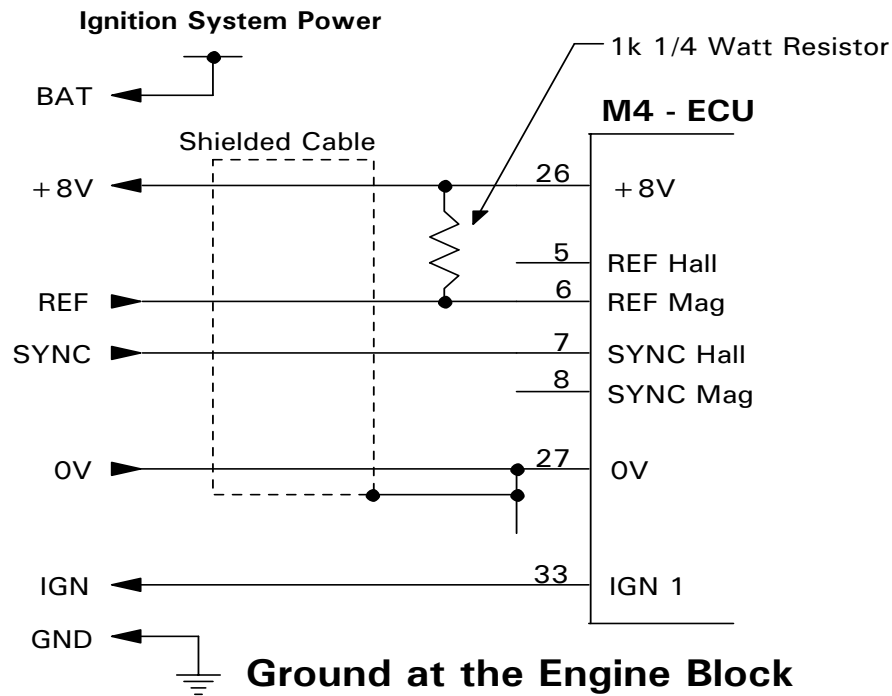
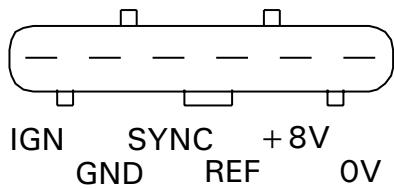
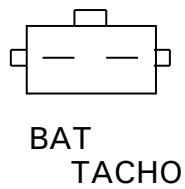


**Pinout Type A**

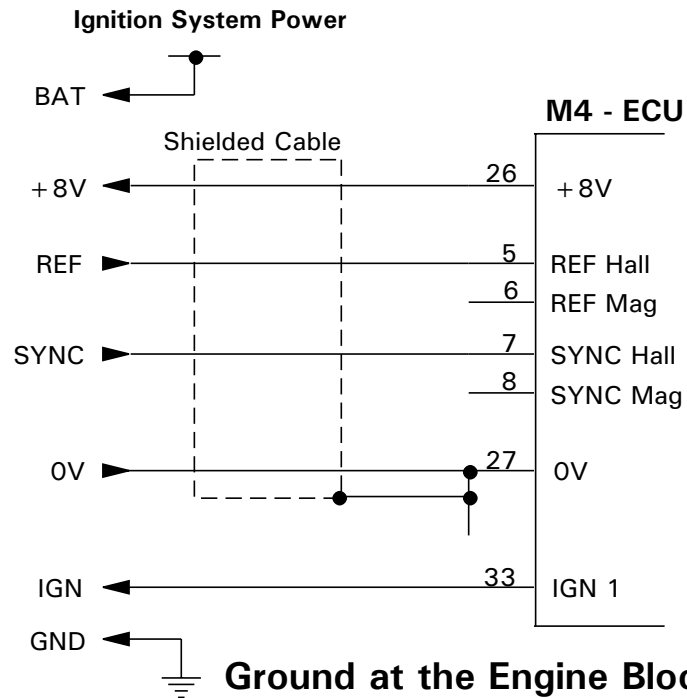


**Note: Only use this Diagram for Revision "A" M4 ECU Boards.**

<b>Engine Type</b>						
<b>Pinout Type</b>		A				
<b>Setup</b>	M4 Only	rFSn	3			
		SYSn	1			
	rEF	3				
	cr t	0				
	criP	7.0				
	ign	1				
	COIL	1				
	dELL	3.0				

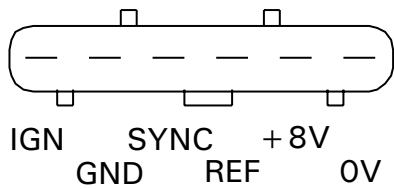
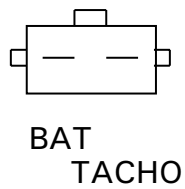


**Pinout Type A**

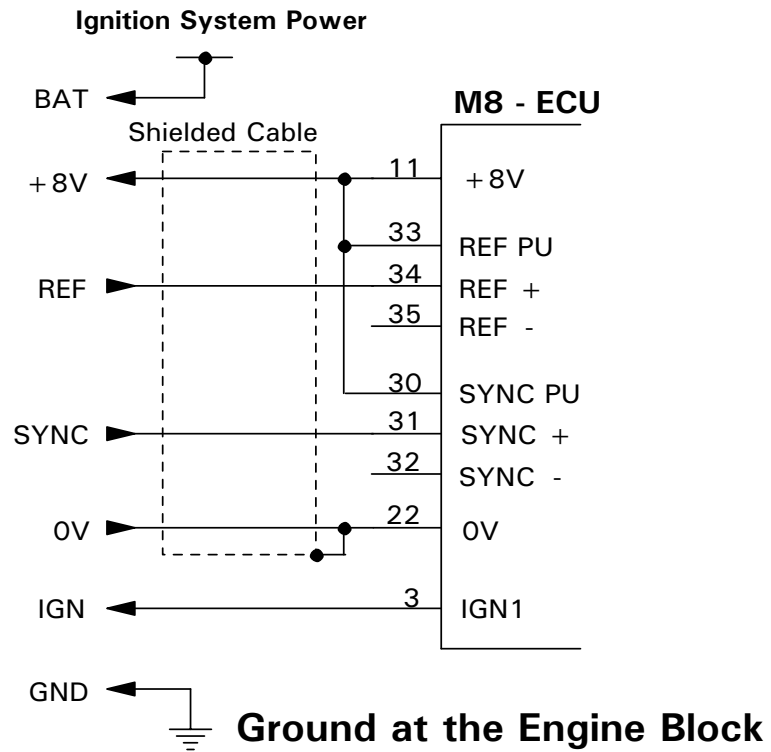


**Note: Use this Diagram for Revision "B" and higher M4 ECU Boards.**

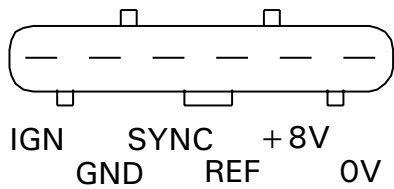
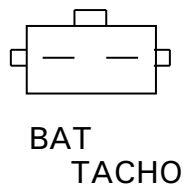
<b>Engine Type</b>						
<b>Pinout Type</b>		A				
<b>Setup</b>	M4 Only	rFSn	1			
		SYSn	1			
	rEF	2				
	cr t	0				
	criP	607.0				
	ign	1				
	COIL	1				
	dELL	3.0				



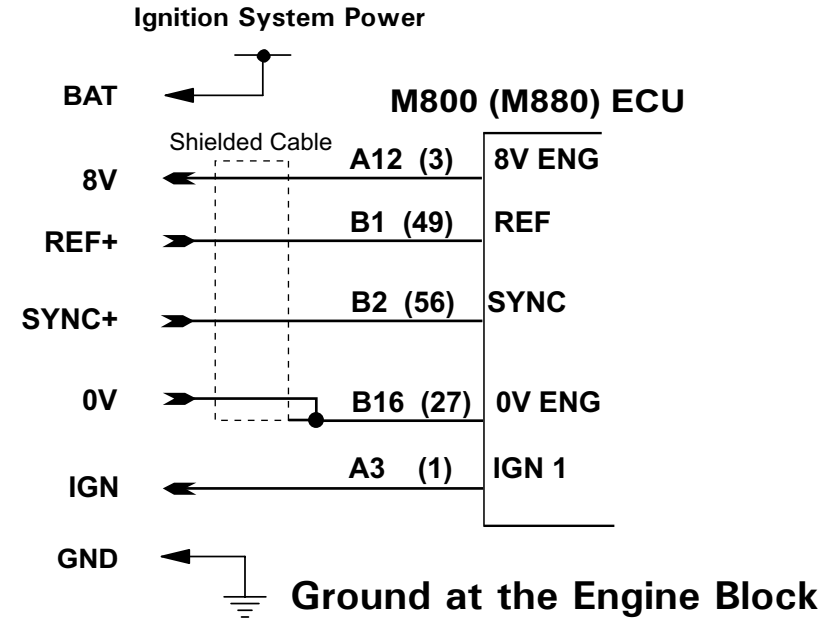
**Pinout Type A**



<b>Engine Type</b>					
<b>Pinout Type</b>	A				
<b>Setup</b>	rEF	2			
	cr t	0			
	criP	607.0			
	ign	1			
	COIL	1			
	dELL	3.0			



**Pinout Type A**



<b>Engine Type</b>				
<b>Pinout Type</b>	A			

<b>Sensor Setup - REF/SYNC Sensor Setup</b>				
REF Sensor Type	Hall			
REF Sensor Edge	Rise			
REF Sensor Filter	1.0			
SYNC Sensor Type	Hall			
SYNC Sensor Edge	Fall			
SYNC Sensor Filter	1.0			

<b>General Setup - Main Setup</b>				
REF / SYNC Mode	1			
Crank Ref Teeth	0			
Crank Index Position	607			
Ign	Fall			
COIL	1			
DELL	3.0			