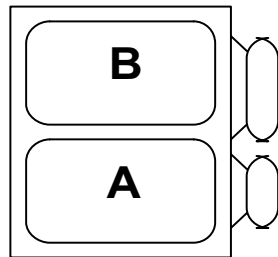


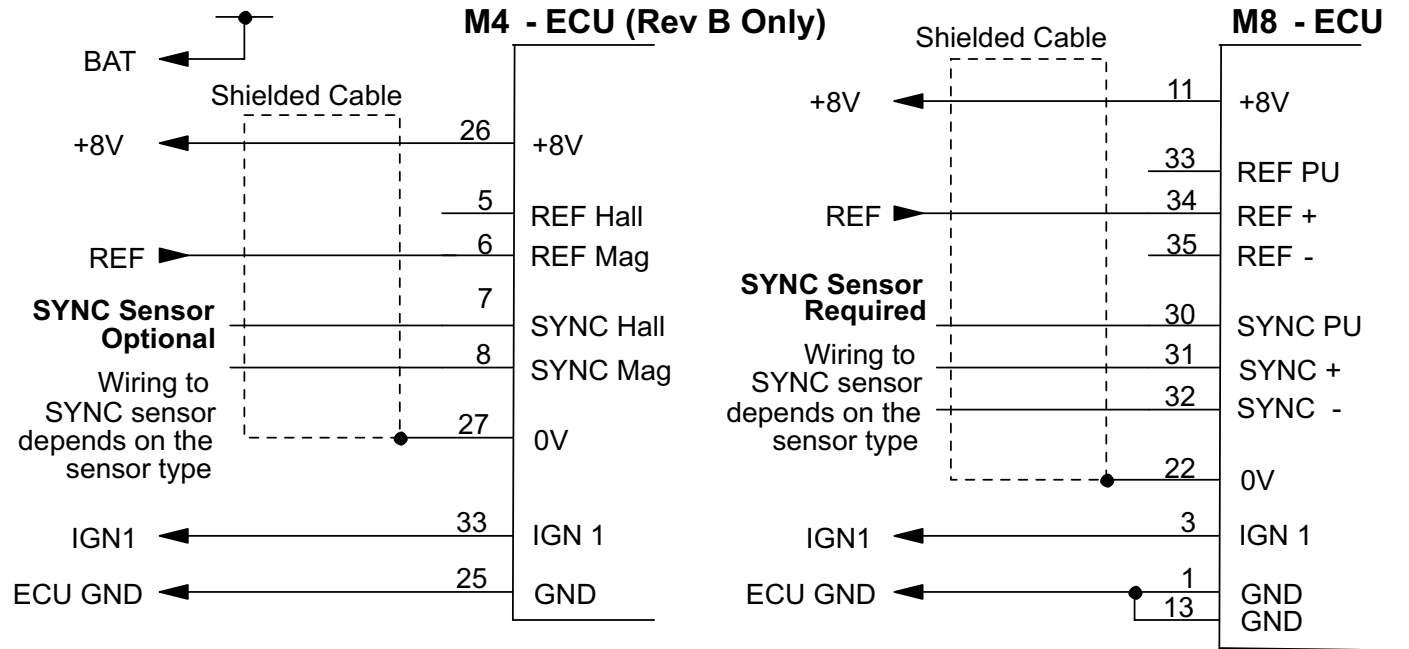
**NOTE** If earthed to the chassis there must be a heavy cable between the chassis and the engine block.

**NOTE** If the modules are attached to the engine block they must be mounted on a bracket in a well ventilated area.



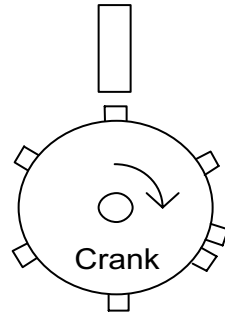
**Coil Firing Sequence**

**Ignition System Power**



<b>Software Version</b>	<b>M4 : V3.0 or higher</b>	<b>M8 : V3.1 or higher</b>
-------------------------	----------------------------	----------------------------

5 deg BTDC Cyl 1 Sensor



<b>Setup</b>	M4 Only	rfSn	3
		SYSn	*
		rEF	3 or 4 *
		cr t	0
		criP	65
		ign	1
		COIL	1
	dELL	3.0	

\* Depends on SYNC sensor type (If Used)

**MoTeC**

Title **Delco 4CYL DFI (Dual edge)**

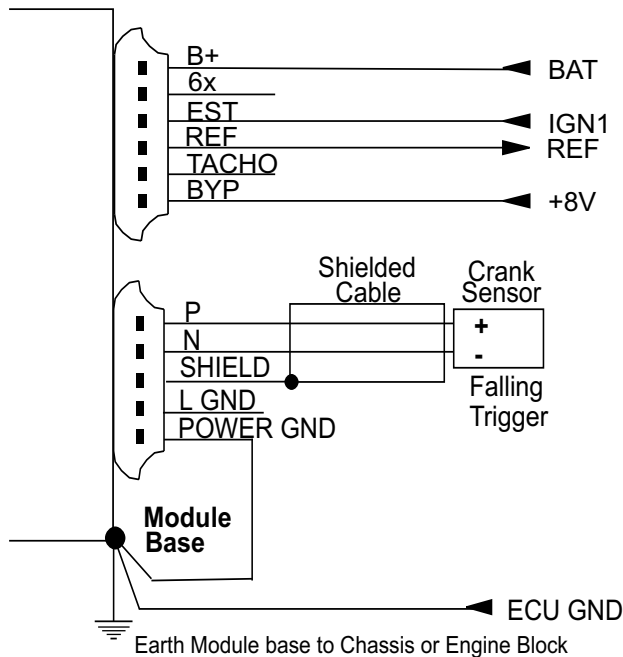
Date 30/10/2001 Drawn ST App Products ECU

Sheet No

Drawing No

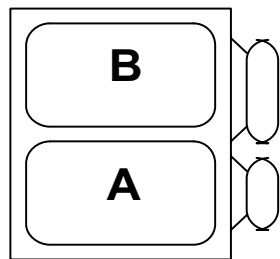
1 of 2

**S12**



**NOTE** If earthed to the chassis there must be a heavy cable between the chassis and the engine block.

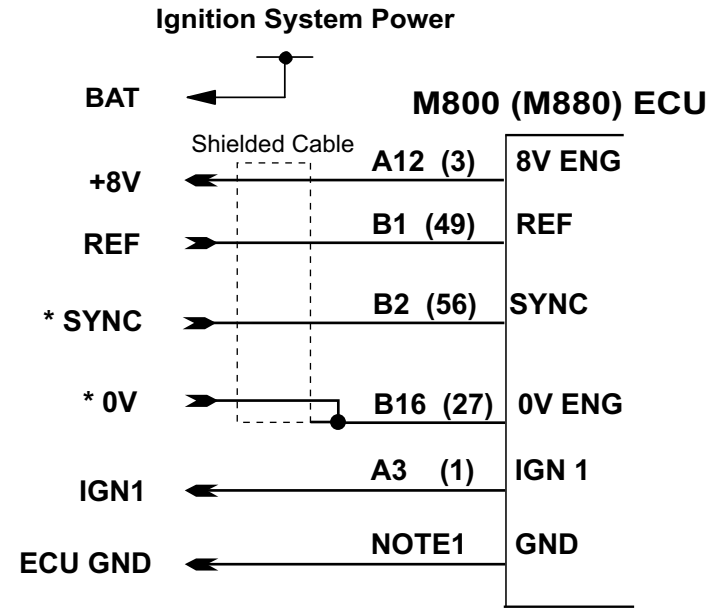
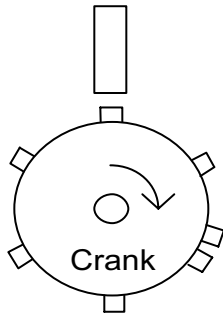
**NOTE** If the modules are attached to the engine block they must be mounted on a bracket in a well ventilated area.



**Coil Firing Sequence**

\*A SYNC Sensor is required  
Wiring details will depend on  
SYNC sensor type.

5 deg BTDC Cyl 1  
Sensor



**Note1:**  
M800 Ground pins are A10 and A11  
M880 Ground pins are 14, 15, 19, 20, 21, 22

Sensor Setup - REF/SYNC Sensor Setup		
REF Sensor Type	Logic Level	
REF Sensor Edge	Fall	
REF Sensor Filter	1.0	
SYNC Sensor Type	*	
SYNC Sensor Edge	*	
SYNC Sensor Filter	*	

General Setup - Main Setup		
REF / SYNC Mode	1	
Crank Ref Teeth	0	
Crank Index Position	65	
Ign	Fall	
COIL	1	
DELL	3.0	

**MoTeC**

Title **Delco 4CYL DFI (Dual edge)**

Date 30/10/2001

Drawn ST

App

Products ECU

Sheet No

Drawing No

2 of 2

**S12**