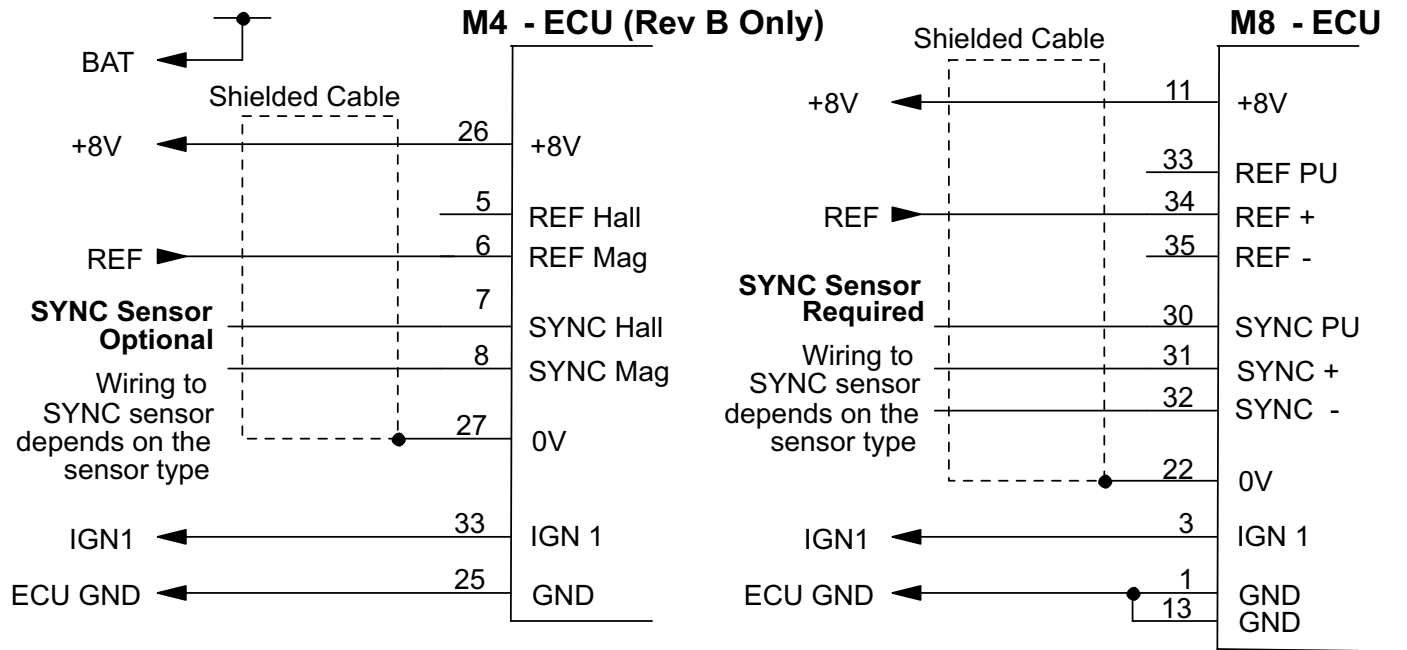


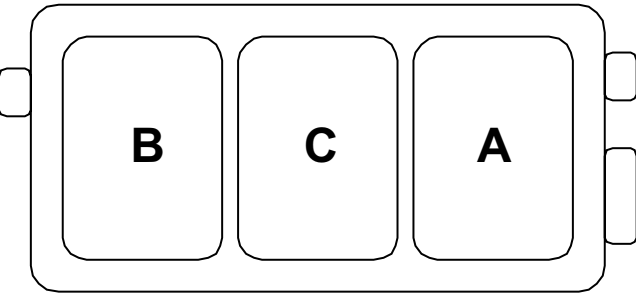
NOTE If earthed to the chassis there must be a heavy cable between the chassis and the engine block.

NOTE If the modules are attached to the engine block they must be mounted on a bracket in a well ventilated area.

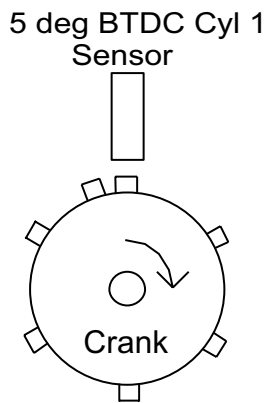
Ignition System Power



Software Version	M4 : V3.0 or higher	M8 : V3.1 or higher
------------------	---------------------	---------------------



Coil Firing Sequence



M4 Only	rfSn	3
	SYSn	*
Setup	rEF	3 or 4 *
	cr t	0
	criP	65
	ign	1
	COIL	1
	dELL	3.0

* Depends on SYNC sensor type (If Used)

MoTeC

Title **Delco 6CYL DFI (Dual edge)**

Date 30/10/2001

Drawn ST

App

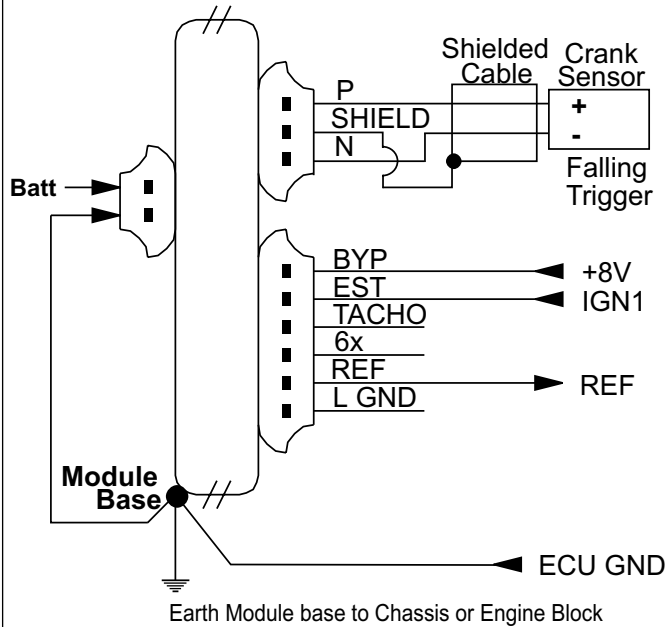
Products ECU

Sheet No

Drawing No

1 of 2

S13

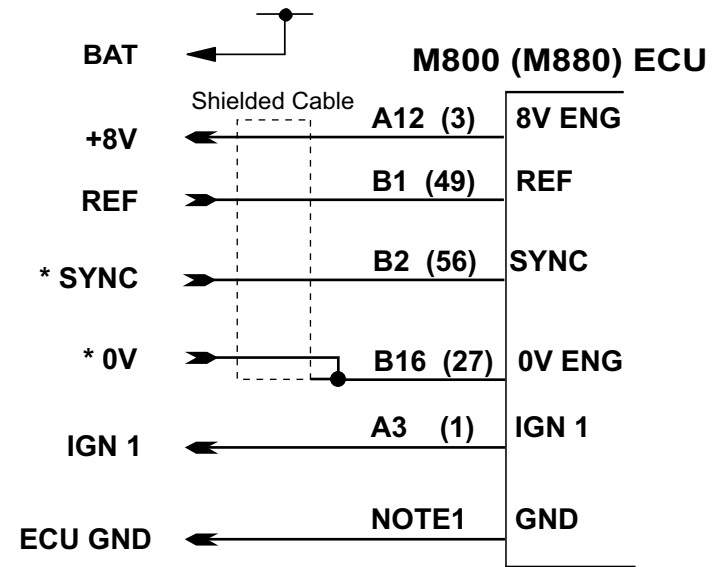


NOTE If earthed to the chassis there must be a heavy cable between the chassis and the engine block.

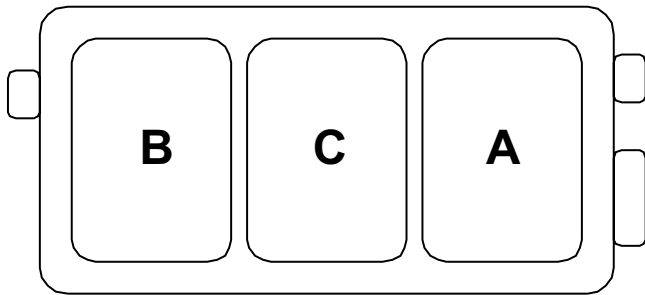
NOTE If the modules are attached to the engine block they must be mounted on a bracket in a well ventilated area.

*A SYNC Sensor is required
Wiring details will depend on
SYNC sensor type.

Ignition System Power

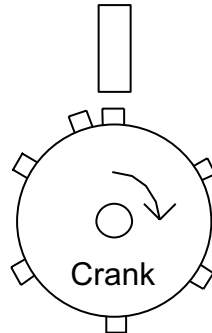


Note1:
M800 Ground pins are A10 and A11
M880 Ground pins are 14, 15, 19, 20, 21, 22



Coil Firing Sequence

5 deg BTDC Cyl 1
Sensor



Sensor Setup - REF/SYNC Sensor Setup

REF Sensor Type	Logic Level	
REF Sensor Edge	Fall	
REF Sensor Filter	1.0	
SYNC Sensor Type	*	
SYNC Sensor Edge	*	
SYNC Sensor Filter	*	

General Setup - Main Setup

REF / SYNC Mode	1	
Crank Ref Teeth	0	
Crank Index Position	65	
Ign	Fall	
COIL	1	
DELL	3.0	

MoTeC

Title **Delco 6CYL DFI (Dual edge)**

Date 30/10/2001

Drawn ST

App

Products ECU

Sheet No

Drawing No

2 of 2

S13