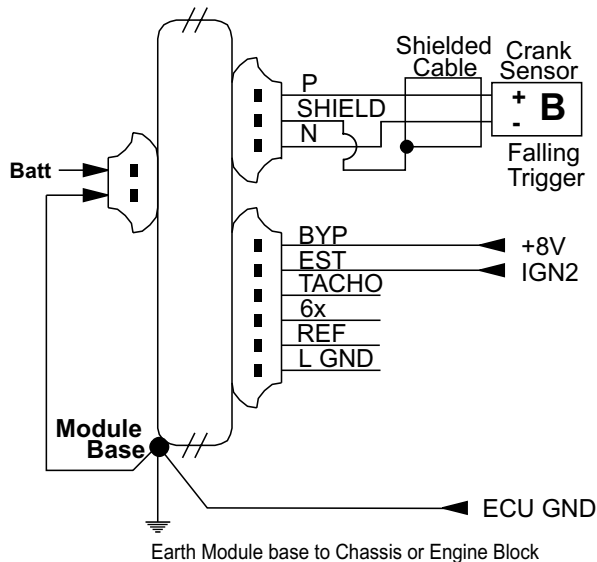


IF earthed to the chassis then module A should be mounted close to module B

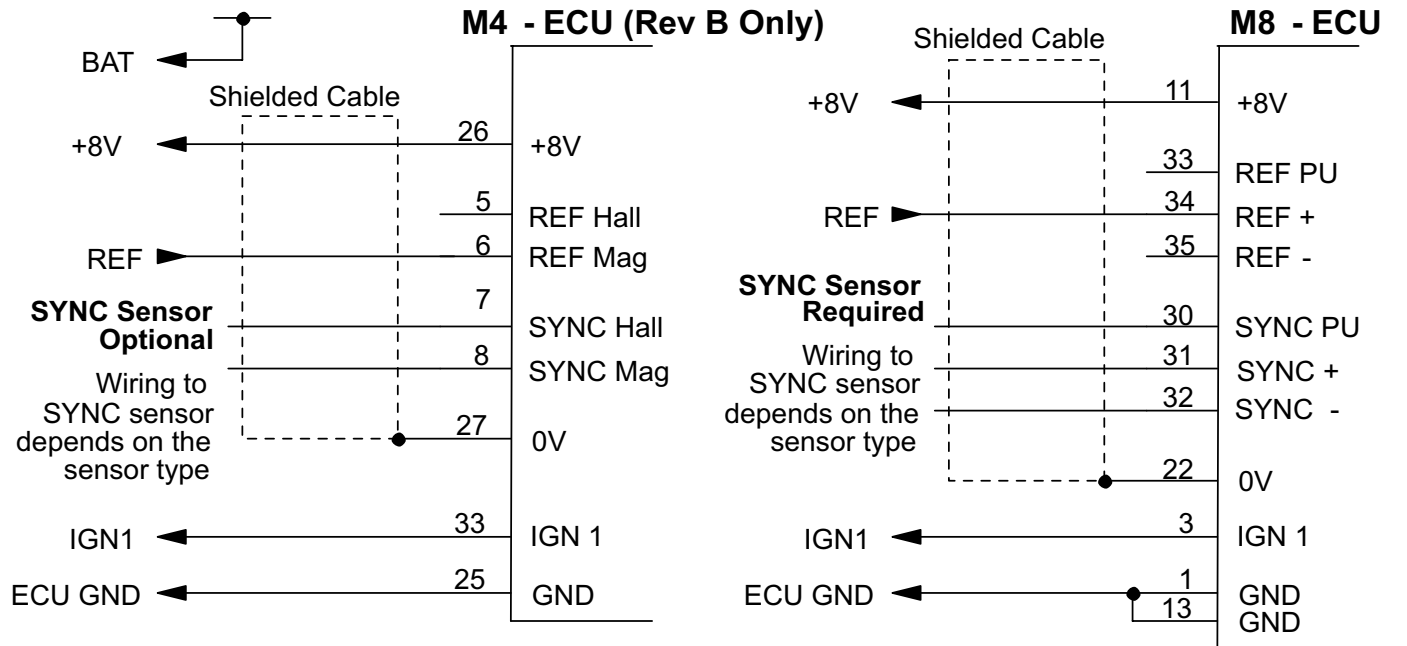


Earth Module base to Chassis or Engine Block

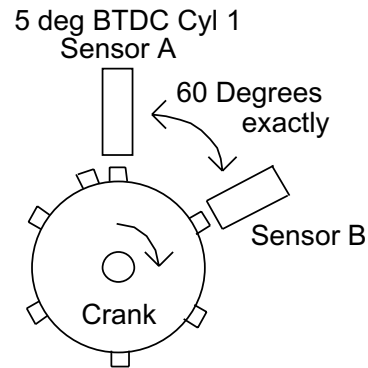
NOTE If earthed to the chassis there must be a heavy cable between the chassis and the engine block.

NOTE If the modules are attached to the engine block they must be mounted on a bracket in a well ventilated area.

Ignition System Power

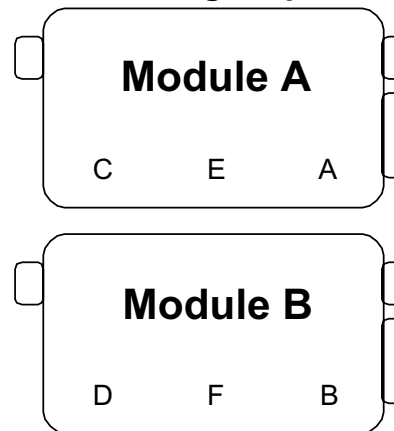


Software Version	M4 : V3.0 or higher	M8 : V3.1 or higher
------------------	---------------------	---------------------



Note
For Even fire engines only

Coil Firing Sequence



M4 Only	rfSn	3
	SYSn	*
Setup	rEF	3 or 4 *
	cr t	0
	criP	5
	ign	1
	COIL	2
	dELL	3.0

* Depends on SYNC sensor type (If Used)

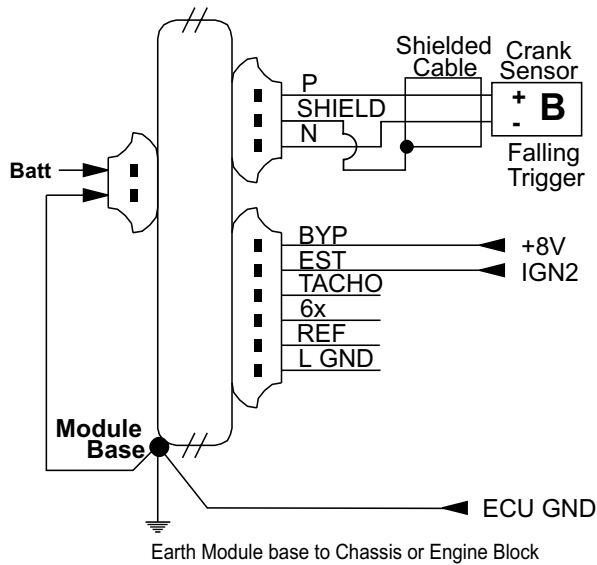
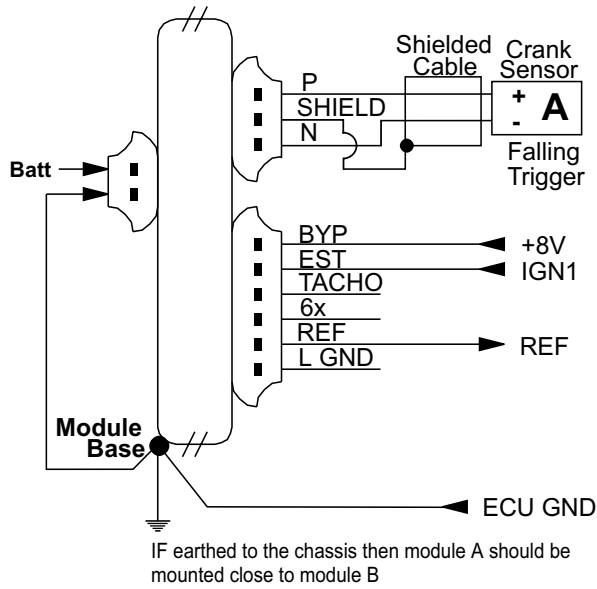
MoTeC

Title **Delco 6CYL DFI for 12 CYL**

Date 30/10/2001 Drawn ST App Products ECU

Sheet No Drawing No

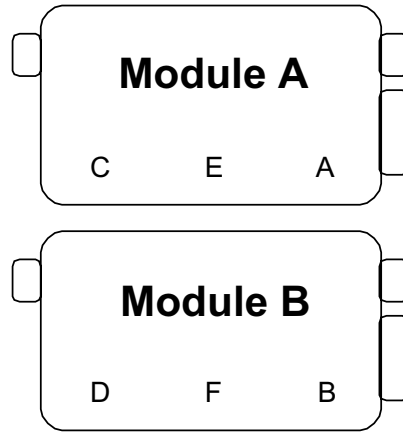
1 of 2 **S14**



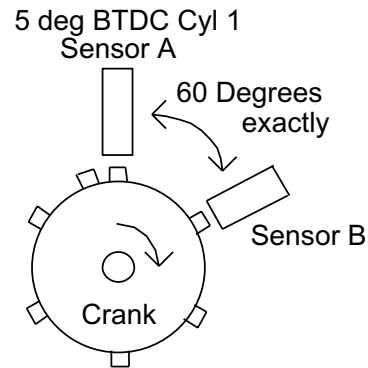
NOTE If earthed to the chassis there must be a heavy cable between the chassis and the engine block.

NOTE If the modules are attached to the engine block they must be mounted on a bracket in a well ventilated area.

Coil Firing Sequence

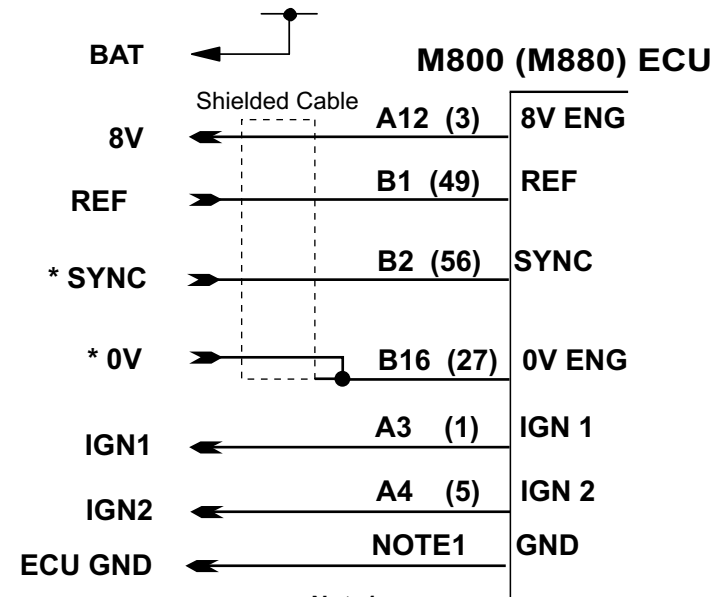


*A SYNC Sensor is required
Wiring details will depend on
SYNC sensor type.



Note
For Even fire engines
only

Ignition System Power



Note1:
M800 Ground pins are A10 and A11
M880 Ground pins are 14, 15, 19, 20, 21, 22

Sensor Setup - REF/SYNC Sensor Setup

REF Sensor Type	Logic Level
REF Sensor Edge	Fall
REF Sensor Filter	1.0
SYNC Sensor Type	*
SYNC Sensor Edge	*
SYNC Sensor Filter	*

General Setup - Main Setup

REF / SYNC Mode	1
Crank Ref Teeth	0
Crank Index Position	5
Ign	Fall
COIL	2
DELL	3.0

MoTeC

Title **Delco 6CYL DFI for 12 CYL**

Date 30/10/2001

Drawn ST

App

Products ECU

Sheet No

Drawing No

2 of 2

S14