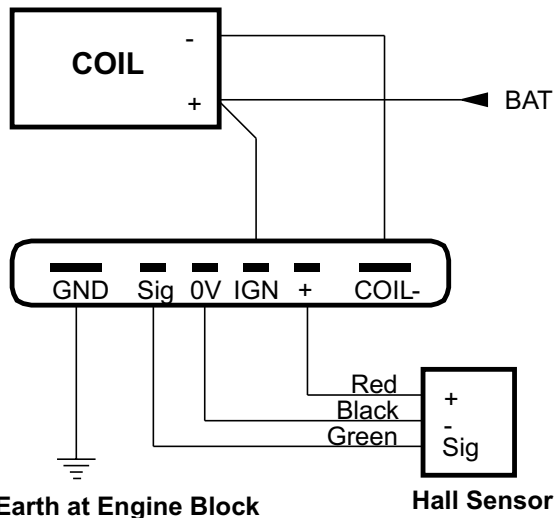
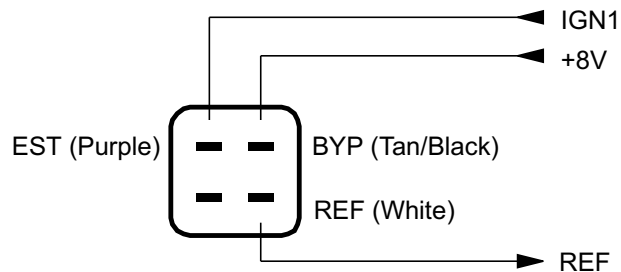


Software Version	M4 : V3.0 or higher	M8 : V3.1 or higher
-------------------------	----------------------------	----------------------------

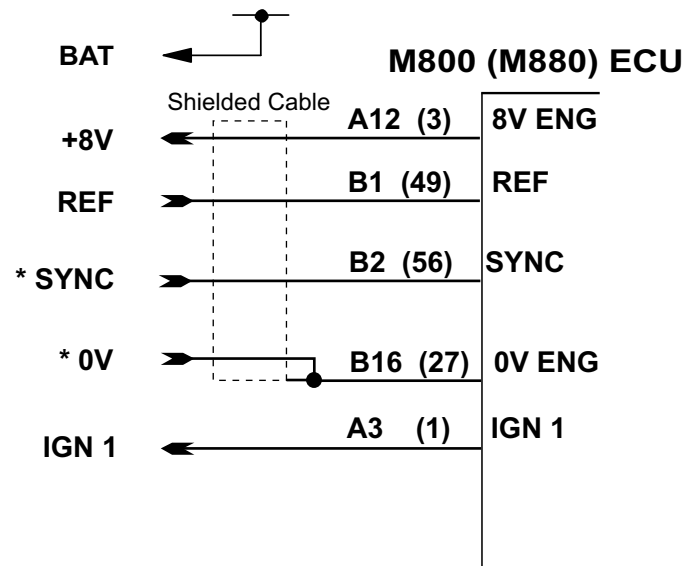
Setup	M4 Only	rfSn	3
		SYSn	*
		rEF	3 or 4 *
		cr t	0
		criP	60
		ign	1
		COIL	1
		dELL	3.0

* Depends on SYNC sensor type (If Used)



*A SYNC Sensor is required
Wiring details will depend on
SYNC sensor type.

Ignition System Power



Sensor Setup - REF/SYNC Sensor Setup

REF Sensor Type	Logic Level
REF Sensor Edge	Fall
REF Sensor Filter	1.0
SYNC Sensor Type	*
SYNC Sensor Edge	*
SYNC Sensor Filter	*

General Setup - Main Setup

REF / SYNC Mode	1
Crank Ref Teeth	0
Crank Index Position	60
Ign	Fall
COIL	1
DELL	3.0

MoTeC

Title **Holden V8 Ignition System**

Date 30/10/2001

Drawn ST

App

Products ECU

Sheet No

Drawing No

2 of 2

S16