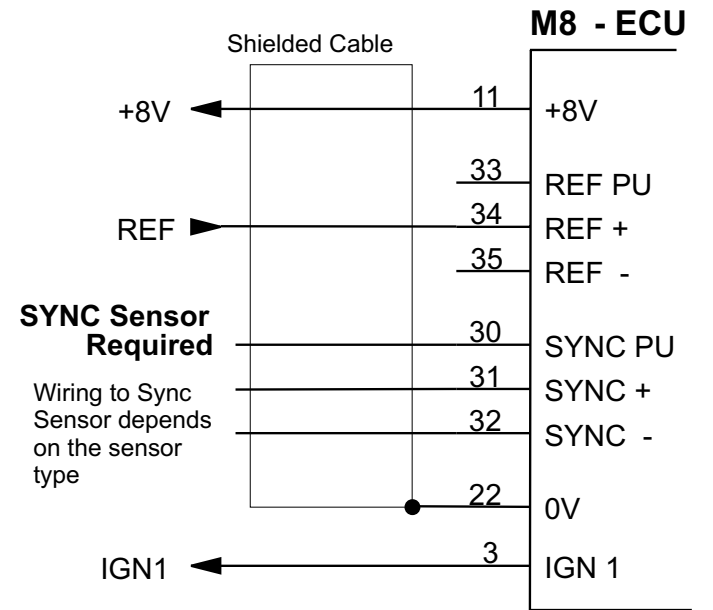
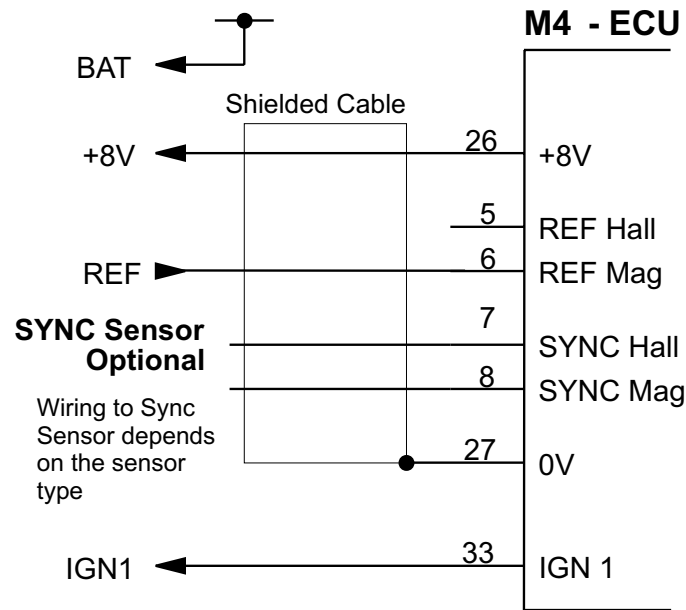


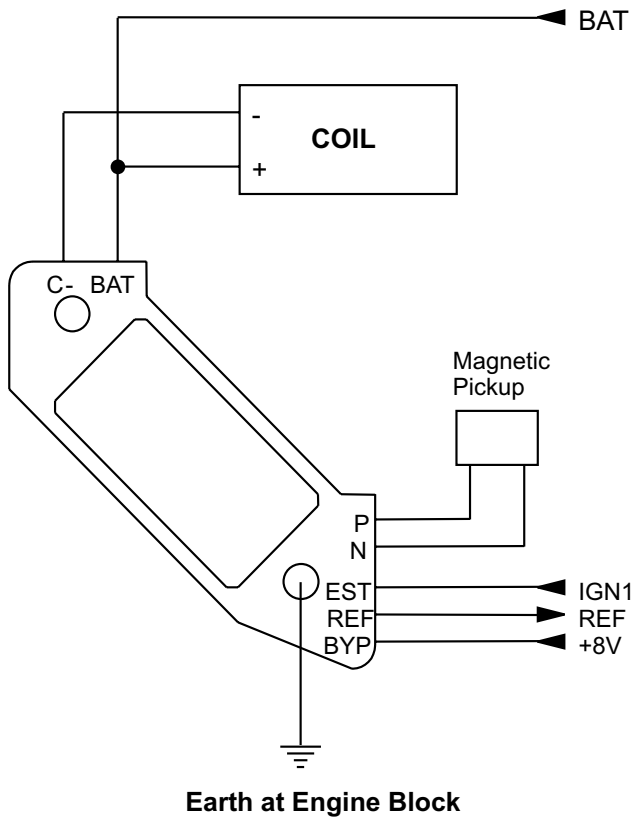
Earth at Engine Block

### Ignition System Power

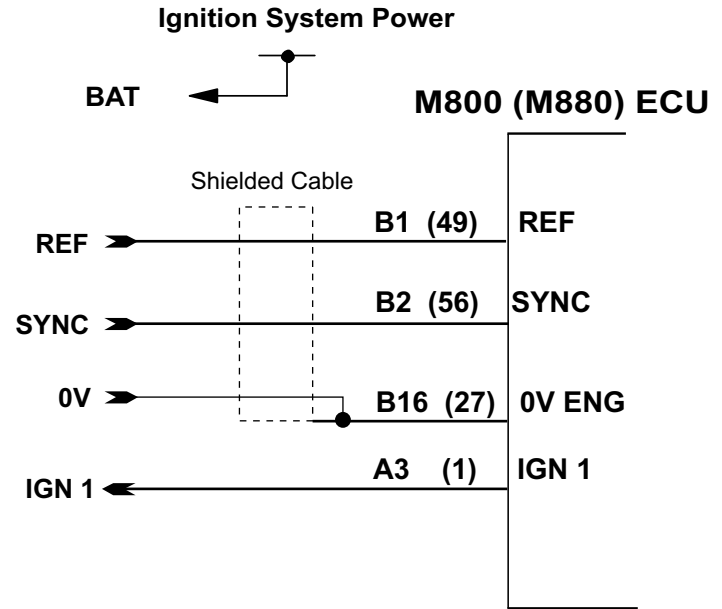


Setup	M4 Only	rfSn	3
		SYSn	*
		rEF	3 or 4
		cr t	* 0
		criP	5
		ign	1
		COIL	1
	dELL	3.0	

\* Depends on SYNC sensor type (If Used)



**Note:** A SYNC Sensor is required for sequential operation  
Wiring to the SYNC sensor will depend on the sensor type used



Sensor Setup - REF/SYNC Sensor Setup			
REF Sensor Type	Logic Level		
REF Sensor Edge	Fall		
REF Sensor Filter	1.0		
SYNC Sensor Type	*		* Depends on SYNC sensor type
SYNC Sensor Edge	*		
SYNC Sensor Filter	*		

General Setup - Main Setup			
REF / SYNC Mode	0		
Crank Ref Teeth	0*		
Crank Index Position	5		
Ign	Fall		
COIL	1		
DELL	3.0		

**MoTeC**

Title **GM HEI Module**

Date 30/10/2001

Drawn ST

App

Products ECU

Sheet No

Drawing No

2 of 2

**S19**