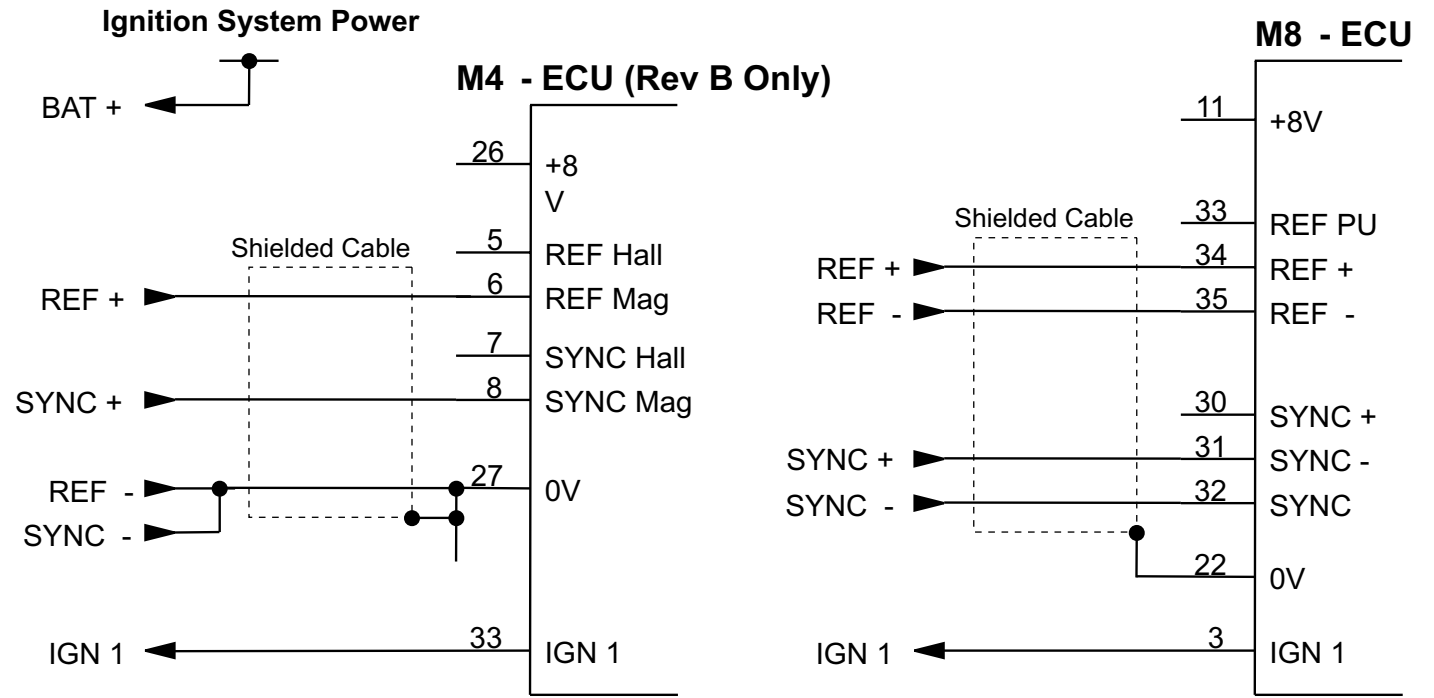
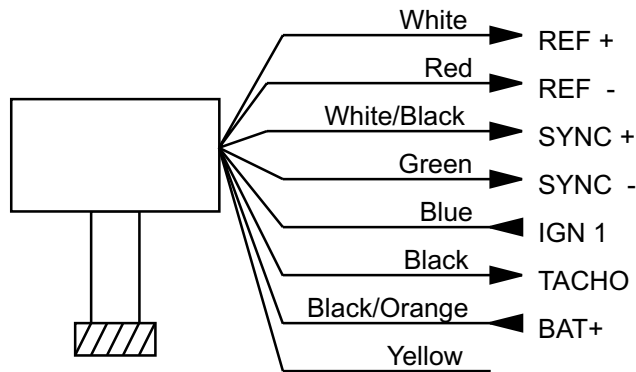


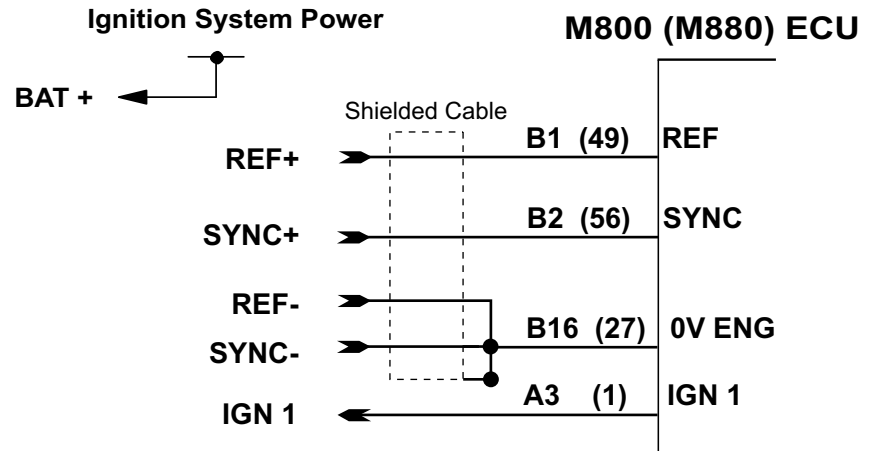
Pinout Type A



Engine Type		4AFE				
Pinout Type		A				
Setup	M4 Only	rfSn	2			
		SYSn	2			
		rEF	1			
		cr t	0			
		criP	5			
		ign	1			
		COIL	1			
		dELL	8.0			



Pinout Type A



Engine Type	4AFE			
Pinout Type	A			

Sensor Setup - REF/SYNC Sensor Setup				
REF Sensor Type	Magnetic			
REF Sensor Edge	Fall			
REF Sensor Filter	1.0			
SYNC Sensor Type	Magnetic			
SYNC Sensor Edge	Fall			
SYNC Sensor Filter	1.0			

General Setup - Main Setup				
REF / SYNC Mode	0			
Crank Ref Teeth	0			
Crank Index Position	5			
Ign	Fall			
COIL	1			
DELL	8.0			

Magnetic Sensor Tables (Sensor Setup - Ref / Sync Setup)						
REF / SYNC RPM Site	0	500	1000	7000	7000	RPM
Ref Magnetic Levels	0.2	1.0	2.0	2.0	N/A	Volts
SYNC Magnetic Levels	0.2	1.0	2.0	2.0	N/A	Volts

Note: Magnetic Sensor levels may need to be adjusted in some applications

MoTeC

Title Toyota 4 Tooth + Module & Coil

Date 30/10/2001 Drawn ST App Products ECU

Sheet No Drawing No

1 of 2 **S20**