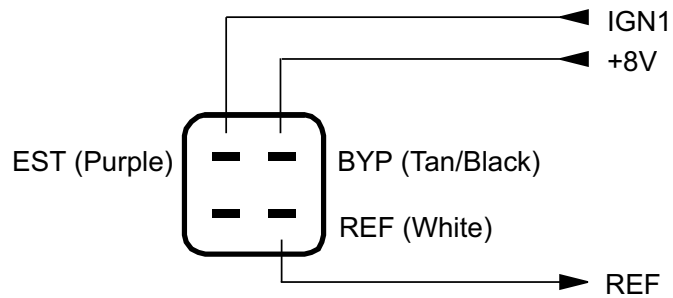
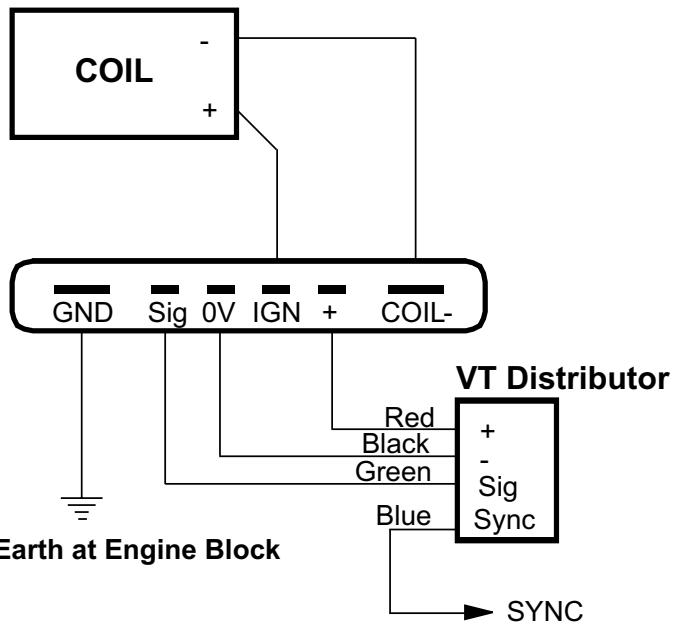
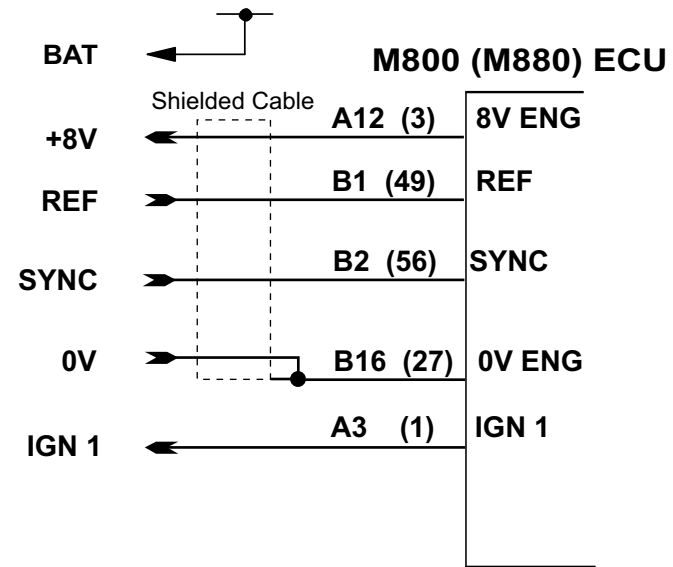


Software Version	M4 : V3.0 or higher	M8 : V3.1 or higher
------------------	---------------------	---------------------

Setup	M4 Only	rfSn	3
		SYSn	1
		rEF	11
		cr t	4
		criP	90
		ign	1
		COIL	1
		dELL	3.0



### Ignition System Power



Sensor Setup - REF/SYNC Sensor Setup		
REF Sensor Type	Logic Level	
REF Sensor Edge	Rise	
REF Sensor Filter	1.0	
SYNC Sensor Type	Hall	
SYNC Sensor Edge	Rise	
SYNC Sensor Filter	1.0	

General Setup - Main Setup		
REF / SYNC Mode	2	
Crank Ref Teeth	4	
Crank Index Position	90	
Ign	Fall	
COIL	1	
DELL	3.0	

**MoTeC**

Title **Holden VT Ignition System**

Date 30/10/2001

Drawn ST

App

Products ECU

Sheet No

Drawing No

2 of 2

**S21**