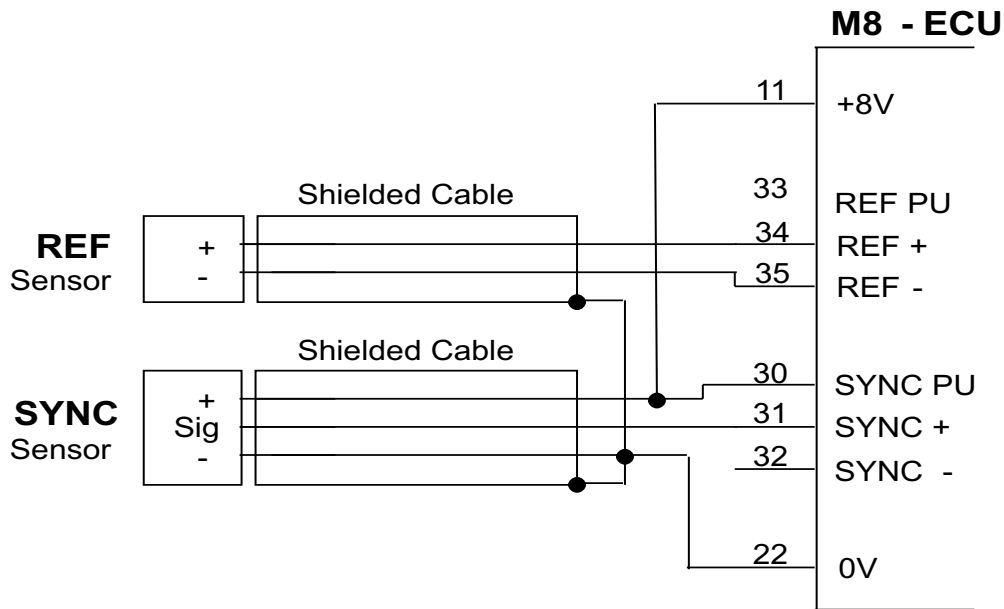
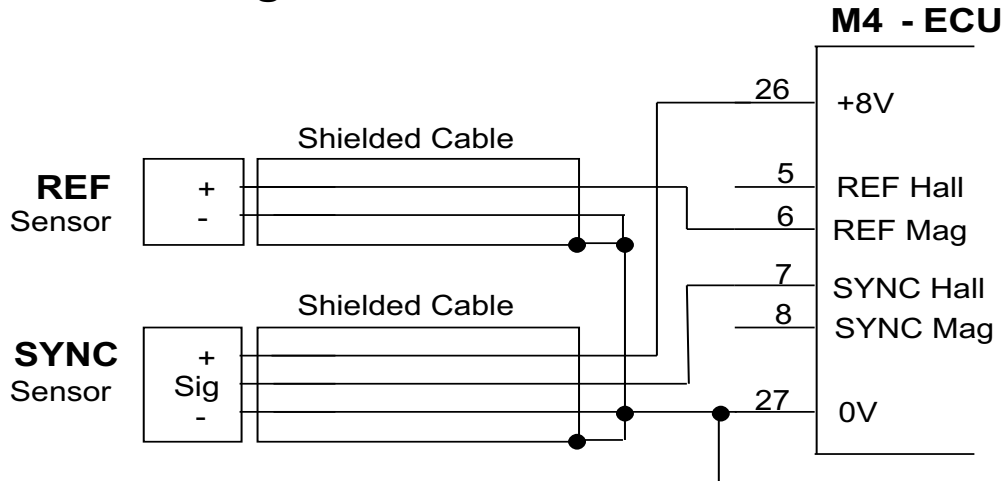
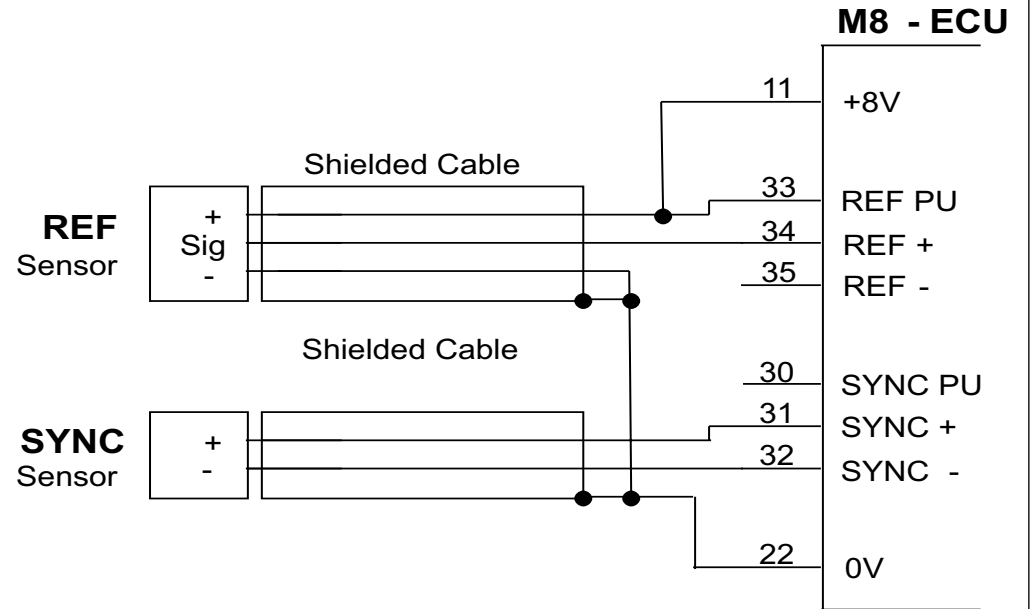
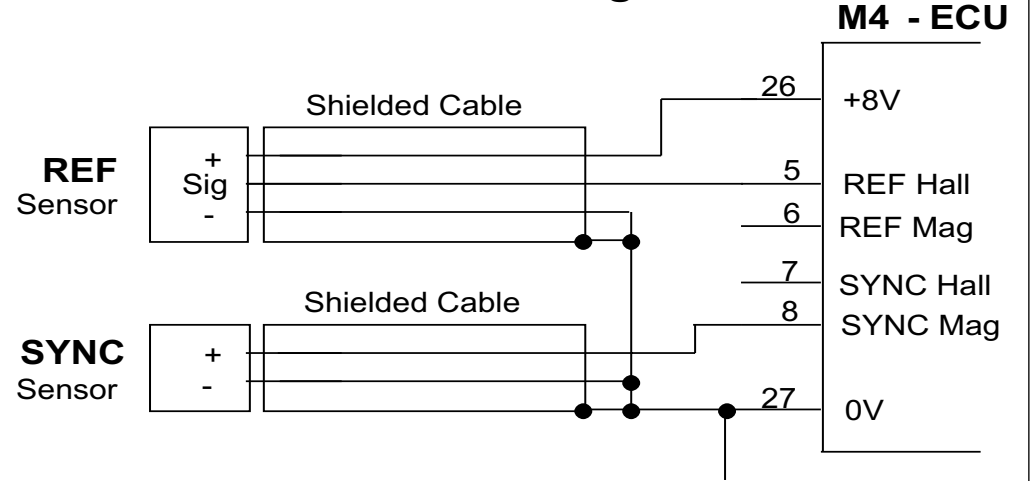


Magnetic REF and Hall SYNC



Hall REF and Magnetic SYNC



NOTE: See Drawings T01 and T02 for more detail

MoTeC

Title **Mixed Hall and Magnetic Sensor**

Date 09/02/2001 Drawn ST App AD Products ECU

Sheet No

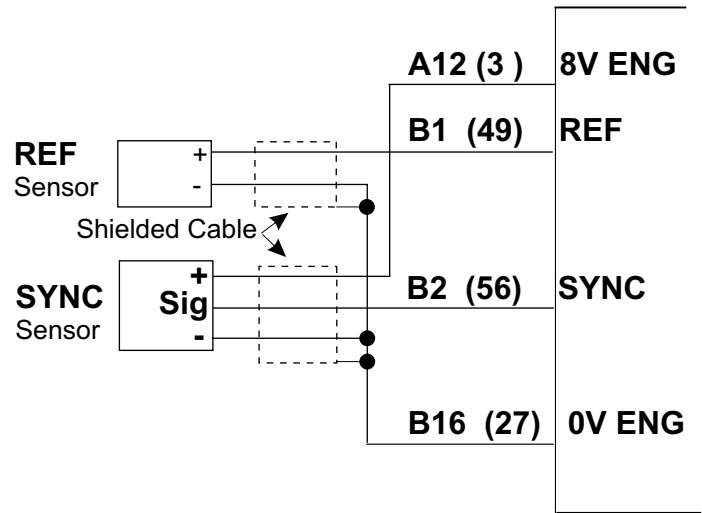
1 of 2

Drawing No

T03

Magnetic REF and Hall SYNC

M800 (M880)

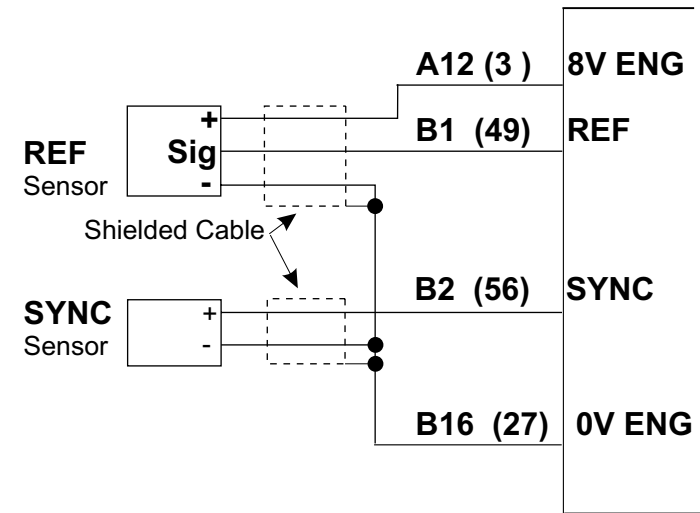


Sensor Setup - REF/SYNC Sensor Setup

REF Sensor Type	Magnetic
REF Sensor Edge	Fall or Rise
REF Sensor Filter	¼ REF Pulse width
SYNC Sensor Type	Hall
SYNC Sensor Edge	Fall or Rise
SYNC Sensor Filter	¼ Sync Pulse width

Hall REF and Magnetic SYNC

M800 (M880)



Sensor Setup - REF/SYNC Sensor Setup

REF Sensor Type	Hall
REF Sensor Edge	Fall or Rise
REF Sensor Filter	¼ REF Pulse width
SYNC Sensor Type	Magnetic
SYNC Sensor Edge	Fall or Rise
SYNC Sensor Filter	¼ Sync Pulse width

NOTE: See Drawings T01 and T02 for more detail

MoTeC

Title **Mixed Hall and Magnetic Sensor**

Date 09/02/2001

Drawn ST

App AD

Products ECU

Sheet No

Drawing No

2 of 2

T03