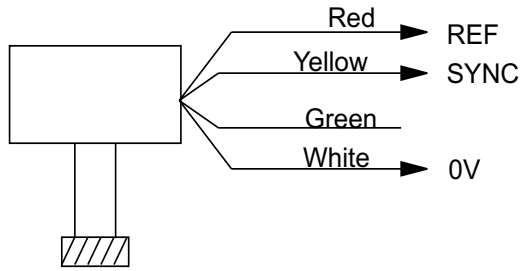
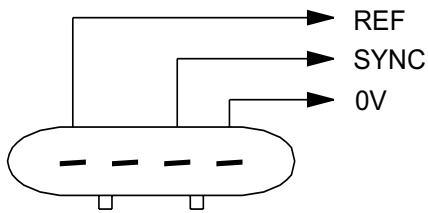


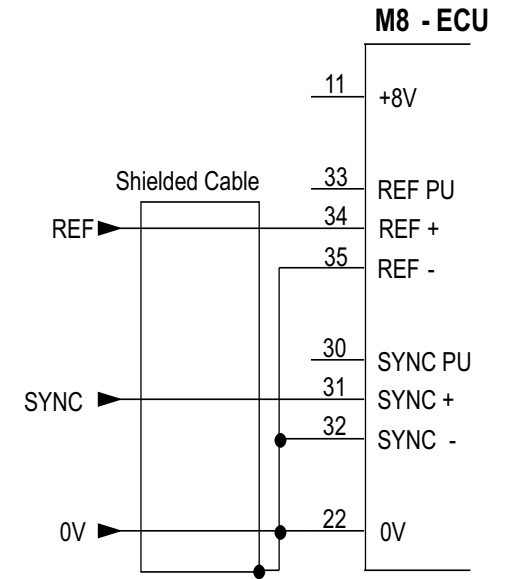
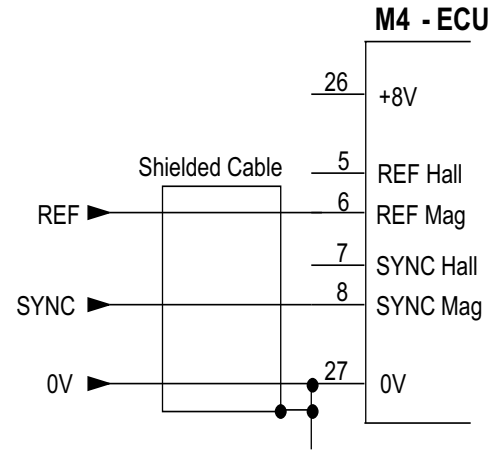
Note: Early 4AGE distributors will need 3 teeth removed from the 4tooth chopper



Pinout Type A

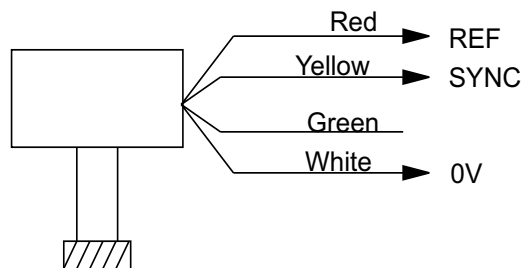


Pinout Type B

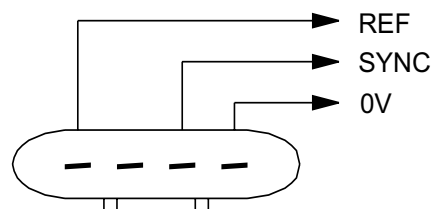


Engine Type		4AGE	Landcruiser	3SGE	4AGZE	4AGE 20V	
Pinout Type		A or B	B	B	A	B	
Setup	M4 Only	rfSn	2	2	2	2	
		SYSn	2	2	2	2	
	rEF	14	14	14	14	14	
	cr t	12	12	12	12	12	
	criP	20	20	20	20	20	

Note: Early 4AGE distributors will need 3 teeth removed from the 4 tooth chopper

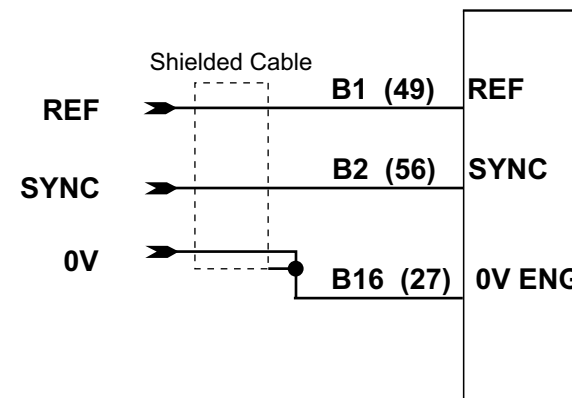


Pinout Type A



Pinout Type B

M800 (M880) ECU



Engine Type	4AGE	4AGE 20V	Land cruiser	3SGE	4AGZE	
Pinout Type	A or B	B	B	B	B	

Sensor Setup - REF/SYNC Sensor Setup

REF Sensor Type	Magnetic	Magnetic	Magnetic	Magnetic	Magnetic	
REF Sensor Edge	Fall	Fall	Fall	Fall	Fall	
REF Sensor Filter	1.0	1.0	1.0	1.0	1.0	
SYNC Sensor Type	Magnetic	Magnetic	Magnetic	Magnetic	Magnetic	
SYNC Sensor Edge	Fall	Fall	Fall	Fall	Fall	
SYNC Sensor Filter	1.0	1.0	1.0	1.0	1.0	

General Setup - Main Setup

REF / SYNC Mode	2	2	2	2	2	
Crank Ref Teeth	12	12	12	12	12	
Crank Index Position	20	20	20	20	20	

Magnetic Sensor Tables (Sensor Setup - Ref / Sync Setup)

REF / SYNC RPM Site	0	500	1000	7000	7000	RPM
Ref Magnetic Levels	0.2	1.0	2.0	2.0	N/A	Volts
SYNC Magnetic Levels	0.2	1.0	2.0	2.0	N/A	Volts

Note: Magnetic Sensor levels may need to be adjusted in some applications

MoTeC

Title **Toyota 24 Tooth Magnetic**

Sheet No Drawing No

Date 09/02/2001

Drawn ST

App AD

Products ECU

2 of 2

T11