

Pinout Type A



SYNC connector



REF connector

SYNC Connector

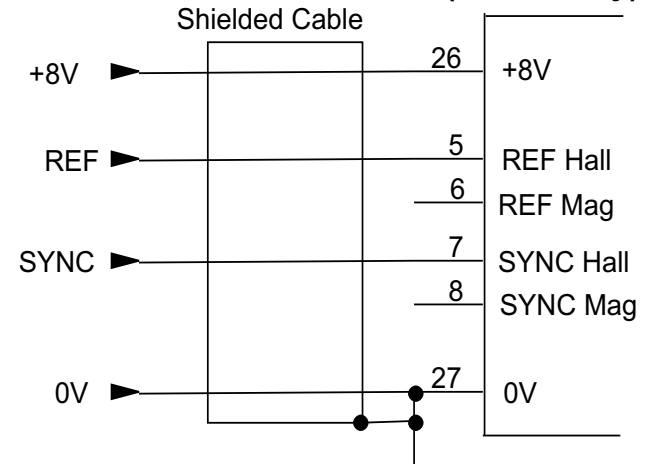
Pin	Function
1	0V
2	SYNC
3	+8V

REF Connector

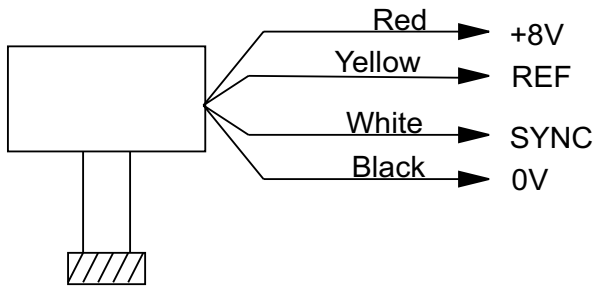
Pin	Function
1	0V
2	REF
3	+8V

Pinout Type D

M4 - ECU (Rev B Only)



Note: This mode is not compatible with REV A M4 ECU

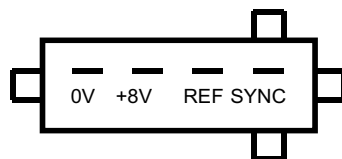
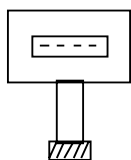


Pinout Type B

Software Version

V3.0 or higher

Engine Type	MX5	VR4	GT3000	LANCER		Hyundai 2.0L 4V	Pajero V6	
				EVO 123	EVO 456			
Pinout Type	A	B	A	C	D	B	C	
Setup	M4 Only	rfSn	1	1	1	1	1	
		SYSn	1	1	1	1	1	
		rEF	162	162	164	162	162	164
		cr t	0	0	0	0	0	0
		criP	615	615	555	615	615	555



Pinout Type C

MoTeC

Title Mitsubishi / Mazda Optical

Sheet No

Drawing No

Date 09/02/2001

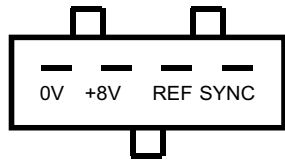
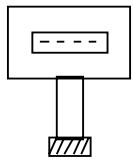
Drawn ST

App AD

Products ECU

1 of 3

T13



Pinout Type A



SYNC connector



REF connector

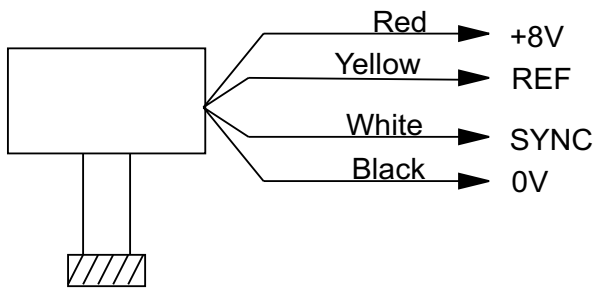
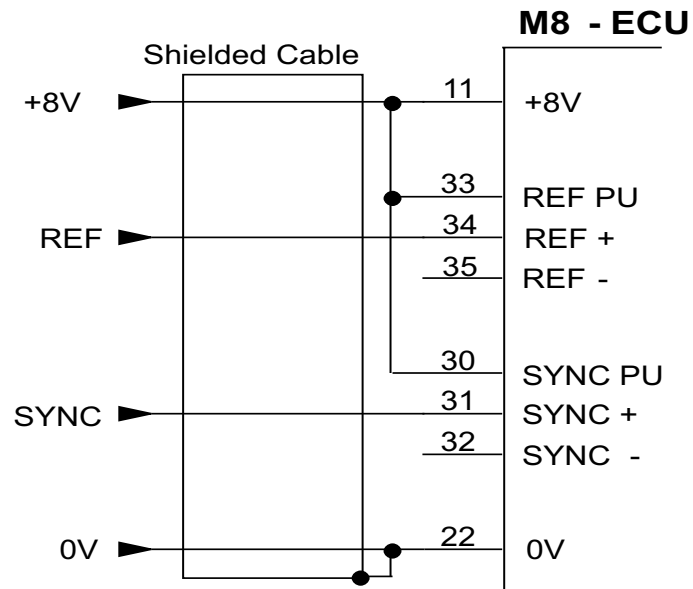
SYNC Connector

Pin	Function
1	0V
2	SYNC
3	+8V

REF Connector

Pin	Function
1	0V
2	REF
3	+8V

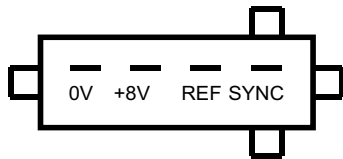
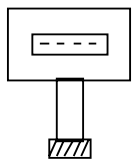
Pinout Type D



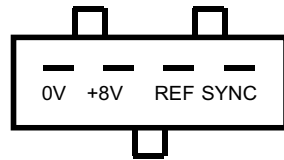
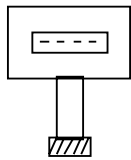
Pinout Type B

Software Version	V3.0 or higher
-------------------------	-----------------------

Engine Type	MX5	VR4	GT3000	LANCER		Hyundai 2.0L 4V	Pajero V6	
				EVO 123	EVO 456			
Pinout Type	A	B	A	C	D	B	C	
Setup	M4 Only	rfSn	1	1	1	1	1	
		SYSn	1	1	1	1	1	
		rEF	162	162	164	162	162	164
		cr t	0	0	0	0	0	0
		criP	615	615	555	615	615	555



Pinout Type C



Pinout Type A



SYNC connector



REF connector

SYNC Connector

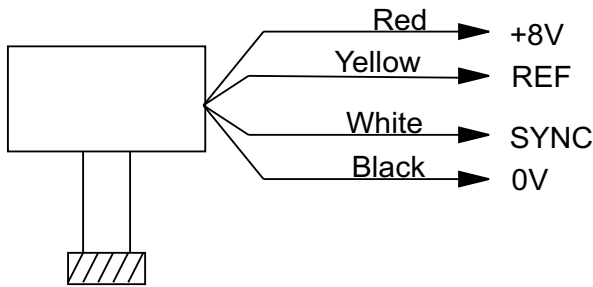
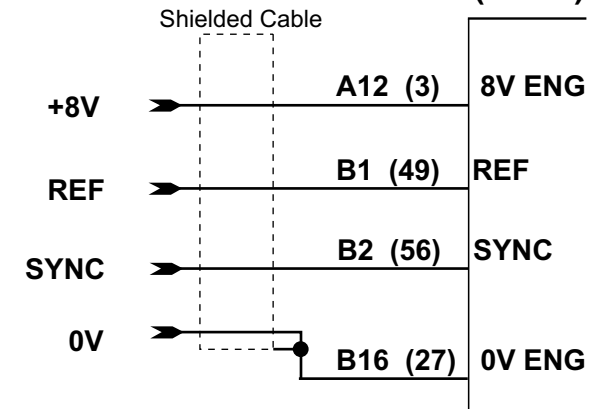
Pin	Function
1	0V
2	SYNC
3	+8V

REF Connector

Pin	Function
1	0V
2	REF
3	+8V

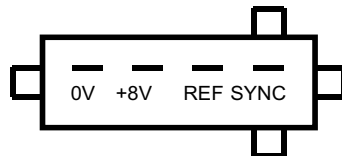
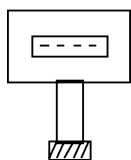
Pinout Type D

M800 (M880) ECU



Pinout Type B

Engine Type	Mx5	Vr4	GT 3000	Hyundai	Pajero V6	Lancer	
						EVO 123	EVO 456
Pinout Type	A	B	A	B	C	C	D
Sensor Setup - REF/SYNC Sensor Setup							
REF Sensor Type	HALL	HALL	HALL	HALL	HALL	HALL	
REF Sensor Edge	Rise	Rise	Fall	Rise	Fall	Rise	
REF Sensor Filter	1.0	1.0	1.0	1.0	1.0	1.0	
SYNC Sensor Type	HALL	HALL	HALL	HALL	HALL	HALL	
SYNC Sensor Edge	Fall	Fall	Fall	Fall	Fall	Fall	
SYNC Sensor Filter	1.0	1.0	1.0	1.0	1.0	1.0	
General Setup - Main Setup							
REF / SYNC Mode	16	16	16	16	16	16	
Crank Index Position	615	615	555	615	555	615	
Crank REF Teeth	0	0	0	0	0	0	
Number of Cylinders	4	4	6	4	6	4	



Pinout Type C

MoTeC

Title Mitsubishi / Mazda Optical

Date 09/02/2001 Drawn ST App AD Products ECU

Sheet No Drawing No

3 of 3

T13