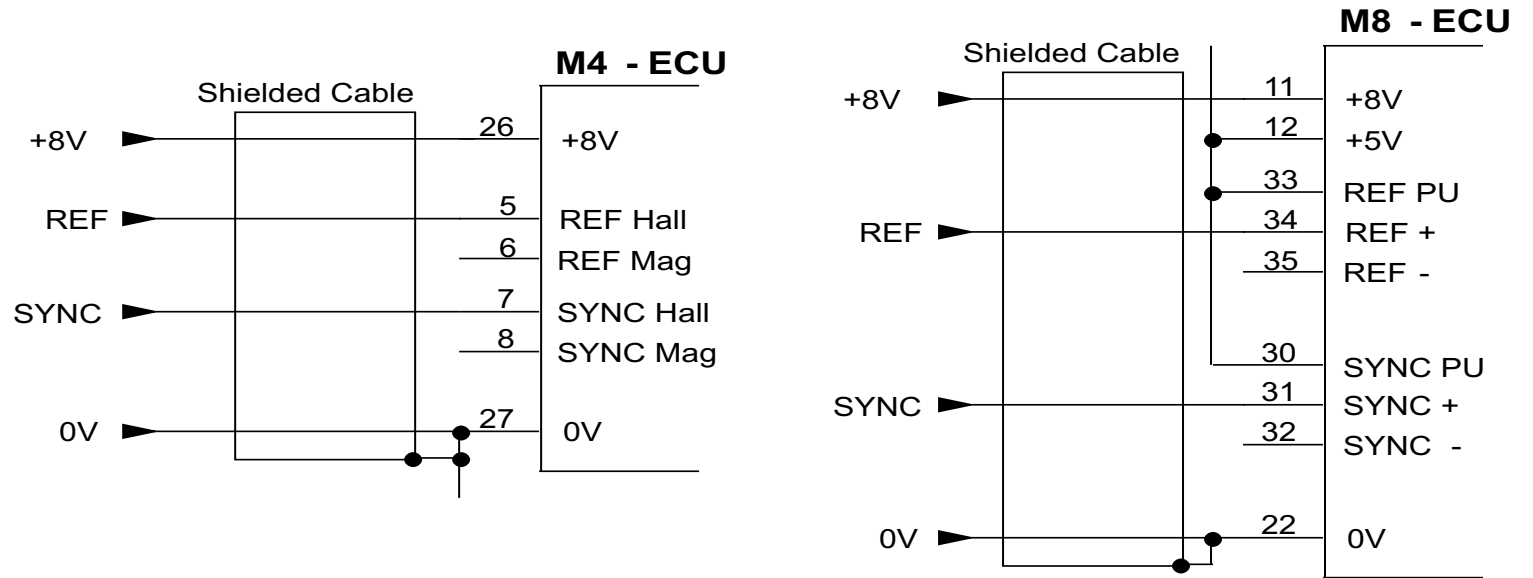


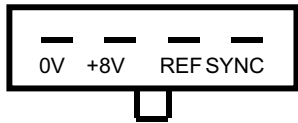
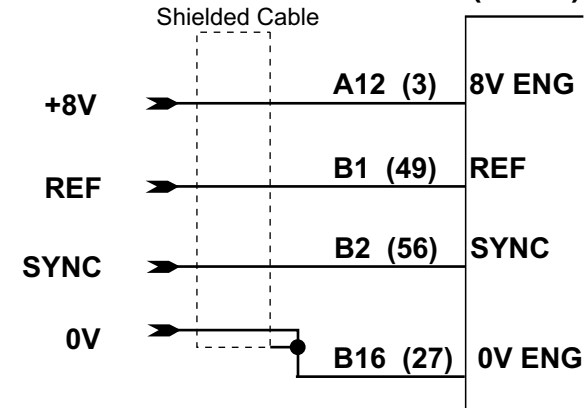
Pinout Type A



IMPORTANT A special version of the M8 ECU is Required (M8-HS)

Engine Type		CHEV V8				
Pinout Type		A				
Setup	M4 Only	rSn	1			
		SYSn	1			
	rEF	112				
	cr t	180				
	criP	45				

M800 (M880) ECU



Pinout Type A

Engine Type	Chev V8	
Pinout Type	A	

Sensor Setup - REF/SYNC Sensor Setup

REF Sensor Type	Hall	
REF Sensor Edge	Rise	
REF Sensor Filter	0.2	
SYNC Sensor Type	Hall	
SYNC Sensor Edge	Fall	
SYNC Sensor Filter	0.2	

General Setup - Main Setup

REF / SYNC Mode	11	
Crank Ref Teeth	180	
Crank Index Position	45	