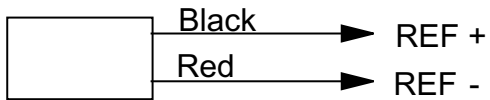
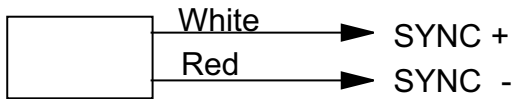


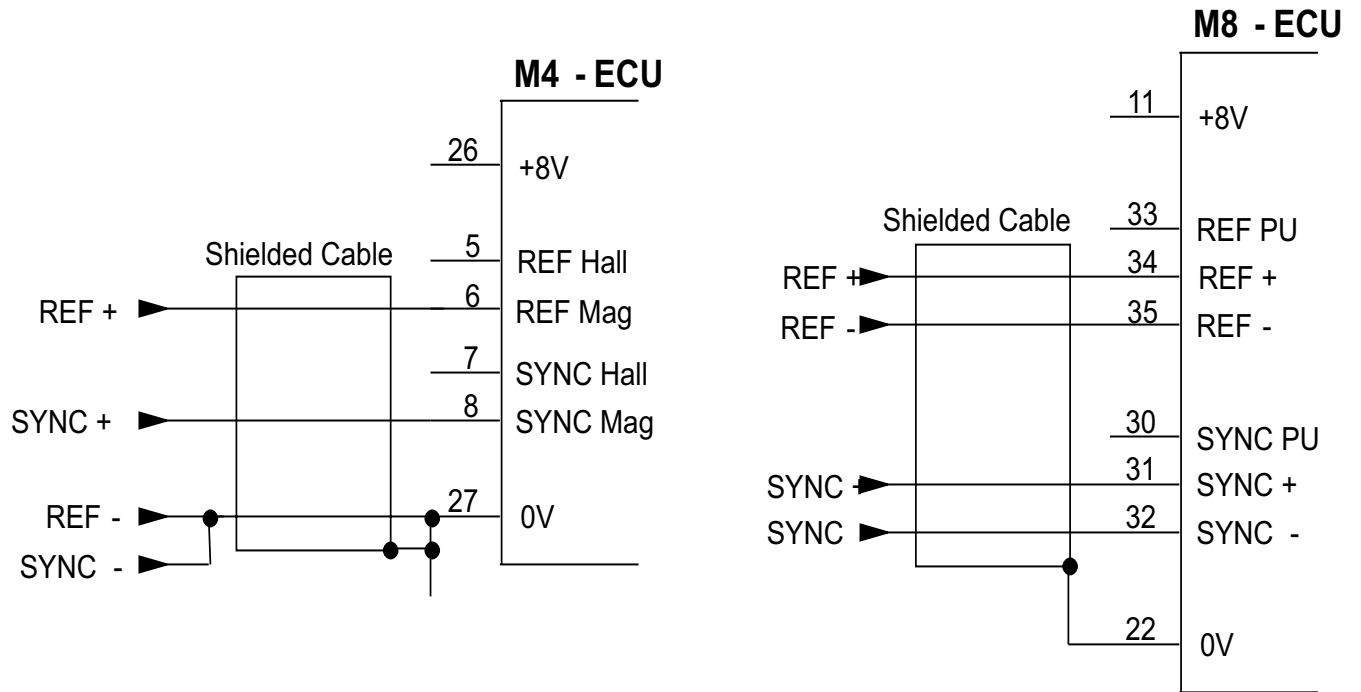
12 Tooth Sensor



1 Tooth Sensor

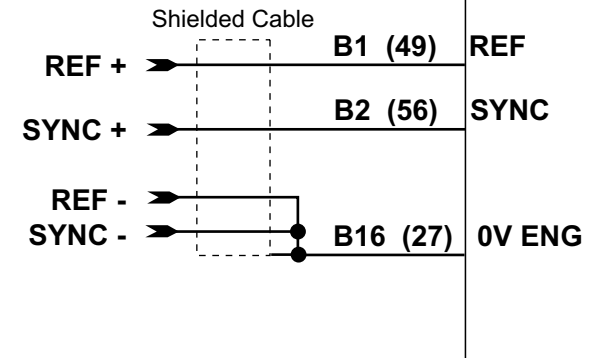


Pinout Type A

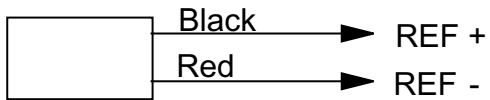


Engine Type		Series 5				
Pinout Type		A				
Setup	M4 Only	rfSn	2			
		SYSn	2			
	rEF	14				
	cr t	12				
	criP	20				

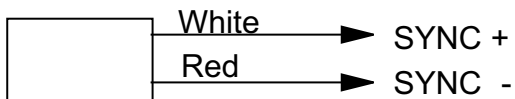
M800 (M880) ECU



12 Tooth Sensor



1 Tooth Sensor



Pinout Type A

Engine Type	Series 5	
Pinout Type	A	

Sensor Setup - REF/SYNC Sensor Setup

REF Sensor Type	Magnetic	
REF Sensor Edge	Fall	
REF Sensor Filter	1.0	
SYNC Sensor Type	Magnetic	
SYNC Sensor Edge	Fall	
SYNC Sensor Filter	1.0	

General Setup - Main Setup

REF / SYNC Mode	2	
Crank Ref Teeth	12	
Crank Index Position	20	

Magnetic Sensor Tables (Sensor Setup - Ref / Sync Setup)

REF / SYNC RPM Site	0	500	1000	7000	7000	RPM
Ref Magnetic Levels	0.2	1.0	2.0	2.0	N/A	Volts
SYNC Magnetic Levels	0.2	1.0	2.0	2.0	N/A	Volts

Note: Magnetic Sensor levels may need to be adjusted in some applications

MoTeC

Title Mazda 12 Tooth Mag on Crank

Sheet No

Drawing No

Date 09/02/2001

Drawn ST

App AD

Products ECU

2 of 2

T15