

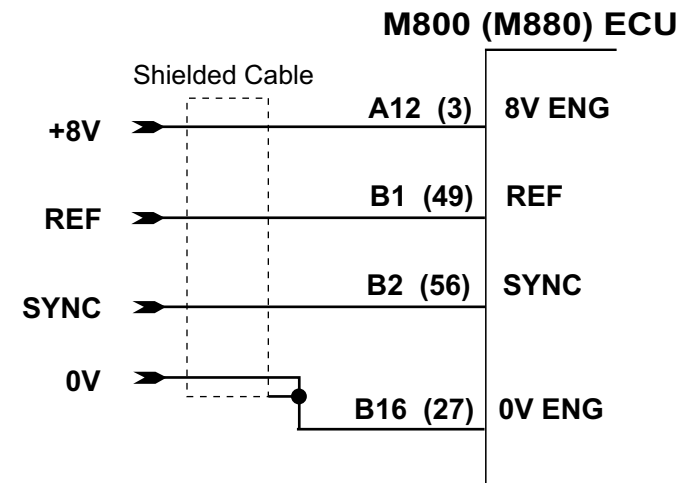
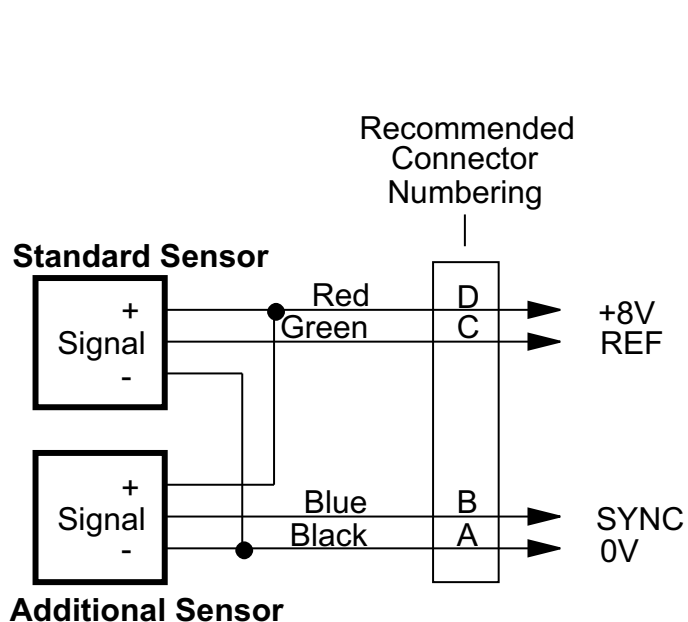
Software Version	M4 V3.0 or higher	M8 V3.4 or higher
-------------------------	--------------------------	--------------------------

Notes

Uses standard chopper disk with an additional sensor mounted directly opposite the standard sensor

The standard sensor is the REF sensor
The additional sensor is the SYNC sensor

M4 Only	rfSn	1
	SYSn	1
Setup	rEF	134
	cr t	0
	criP	60 Approx



Notes

Uses standard chopper disk with an additional sensor mounted directly opposite the standard sensor

The standard sensor is the REF sensor

The additional sensor is the SYNC sensor

Sensor Setup - REF/SYNC Sensor Setup		
REF Sensor Type	Hall	
REF Sensor Edge	Fall	
REF Sensor Filter	0.2	
SYNC Sensor Type	Hall	
SYNC Sensor Edge	Fall	
SYNC Sensor Filter	0.2	

General Setup - Main Setup		
REF / SYNC Mode	13	
Crank Ref Teeth	0	
Crank Index Position	60	