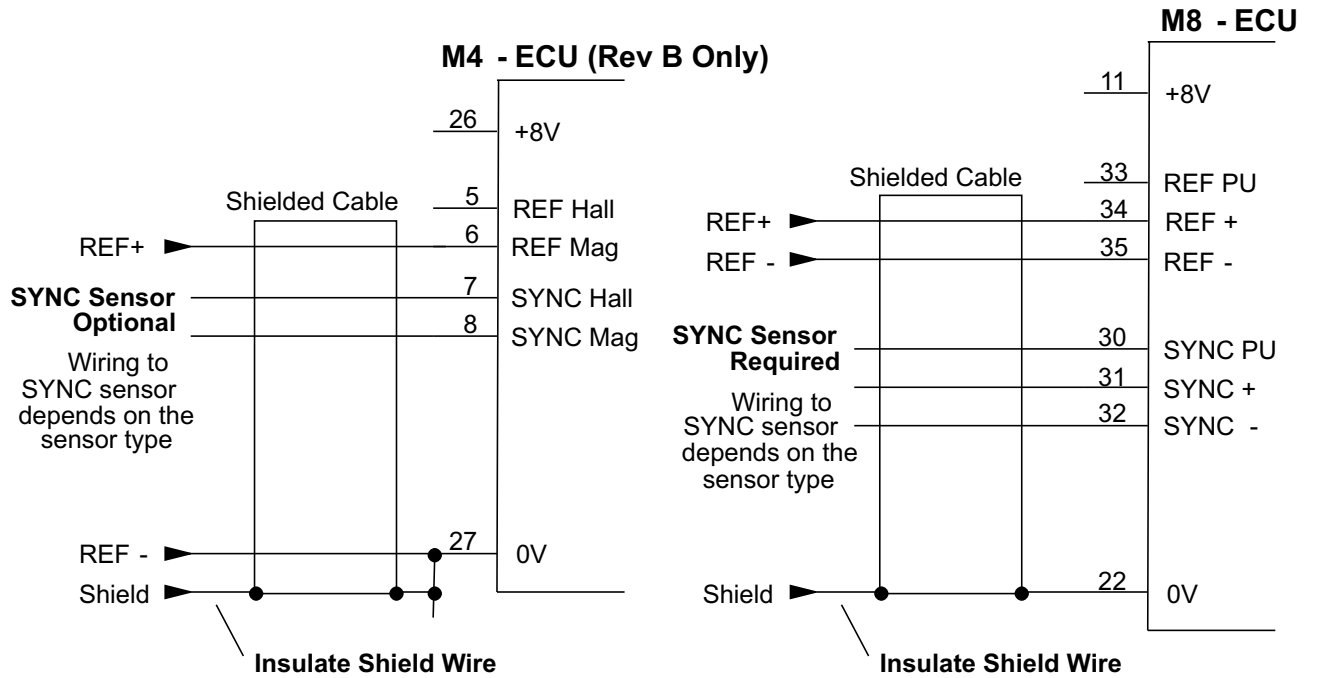


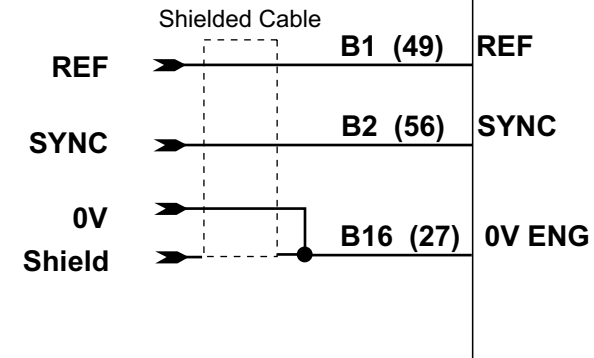
Pinout Type A



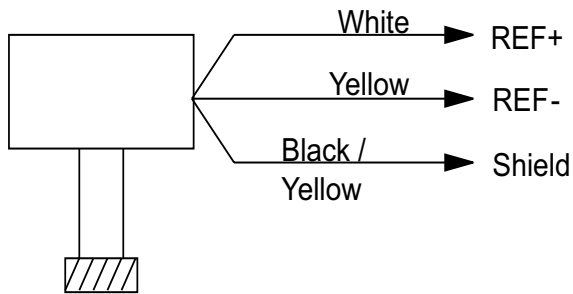
Engine Type		Starion	Cordia			
Pinout Type		A	A			
Setup	M4 Only	rfSn	2	2		
		SYSn	*	*		
		rEF	1 or 2 *	1 or 2 *		
		cr t	0	0		
		criP	10 approx	10 approx		

* Depends on SYNC sensor type (If Used)

M800 (M880) ECU



Wiring to SYNC Sensor will depend on sensor type



Pinout Type A

* = Will depend on SYNC Sensor type if used.

Engine Type	Starion	Cordia	
Pinout Type	A	A	

Sensor Setup - REF/SYNC Sensor Setup

REF Sensor Type	Magnetic	Magnetic	
REF Sensor Edge	Rise	Rise	
REF Sensor Filter	2.0	2.0	
SYNC Sensor Type	*	*	
SYNC Sensor Edge	*	*	
SYNC Sensor Filter	*	*	

General Setup - Main Setup

REF / SYNC Mode	0	0	
Crank Ref Teeth	0	0	
Crank Index Position	10 approx	10 approx	

Magnetic Sensor Tables (Sensor Setup - Ref / Sync Setup)

REF / SYNC RPM Site	0	500	1000	7000	7000	RPM
Ref Magnetic Levels	0.2	1.0	2.0	2.0	N/A	Volts
SYNC Magnetic Levels	*	*	*	*	N/A	Volts

Note: Magnetic Sensor levels may need to be adjusted in some applications

MoTeC

Title Mitsubishi 4 Tooth Magnetic

Sheet No Drawing No

Date 09/02/2001 Drawn ST App AD Products ECU

2 of 2 T17