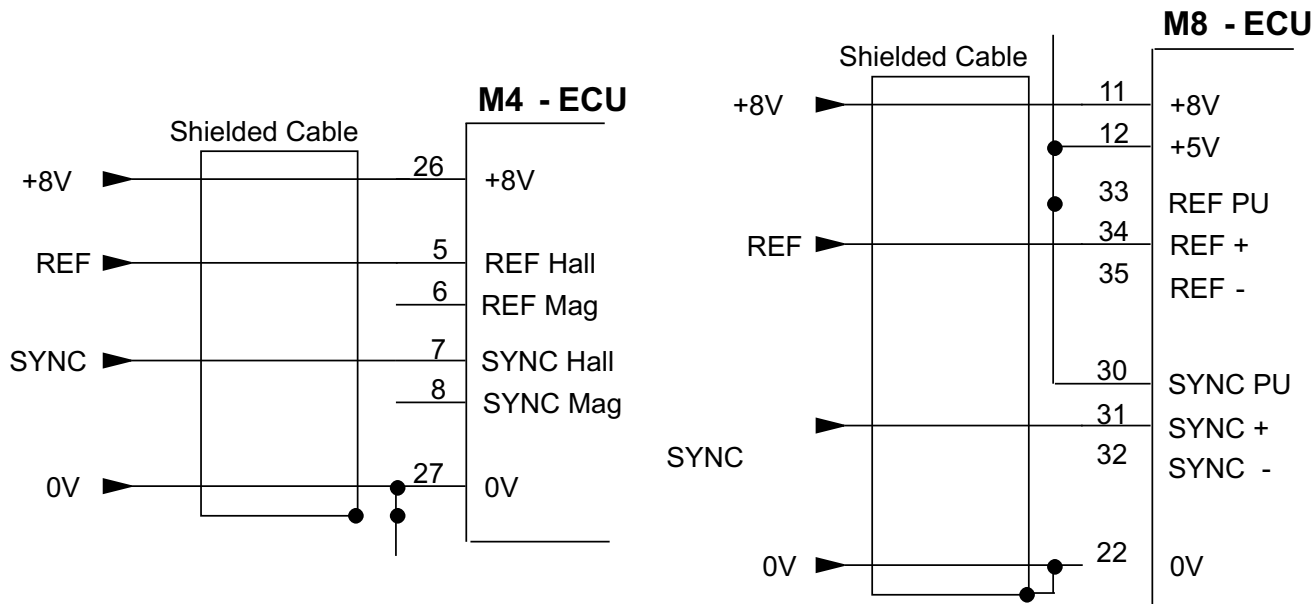


(Looking at Distributor)

**Pinout Type A**

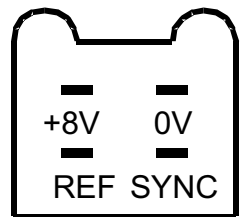


**Software Version : V3.5 of Higher**

**IMPORTANT** A special version of the M8 ECU is Required (M8 -HS)

<b>Engine Type</b>						
<b>Pinout Type</b>		<b>A</b>				
<b>Setup</b>	M4 Only	rSn	1			
		SYSn	1			
	rEF	101				
	cr t	180				
	criP	70				

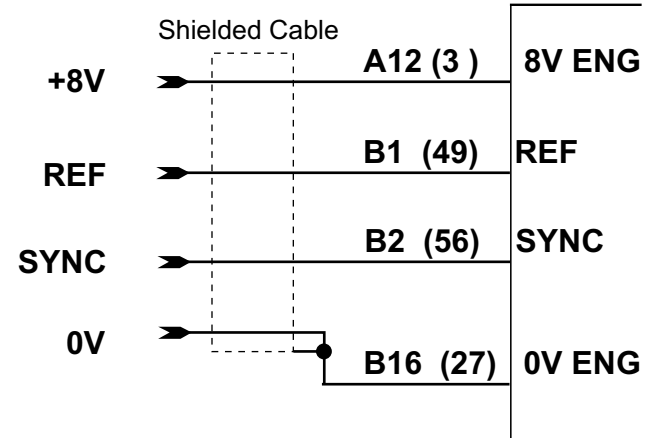
Note: You must enter the correct number of cylinders for this mode



(Looking at Distributor)

**Pinout Type A**

**M800 (M880) ECU**



Engine Type				
Pinout Type	A			

Sensor Setup - REF/SYNC Sensor Setup				
REF Sensor Type	Hall			
REF Sensor Edge	Rise			
REF Sensor Filter	0.2			
SYNC Sensor Type	Hall			
SYNC Sensor Edge	Rise			
SYNC Sensor Filter	0.2			

General Setup - Main Setup				
REF / SYNC Mode	10			
Crank Ref Teeth	180			
Crank Index Position	70			