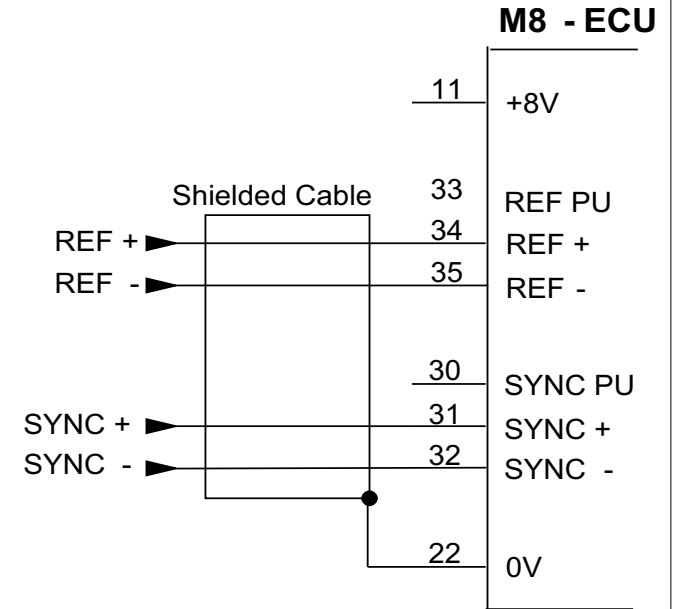
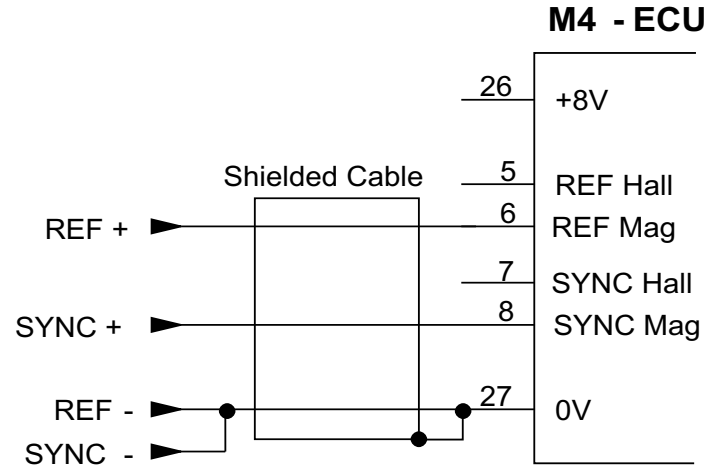


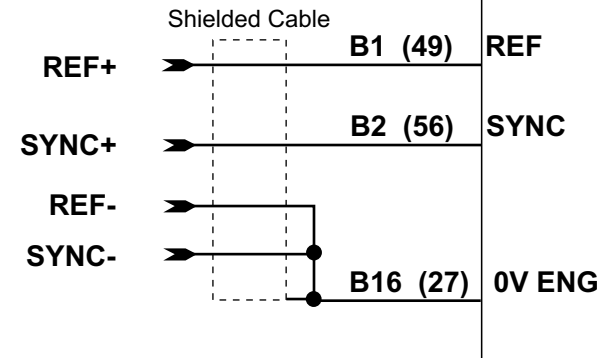
Pinout Type A



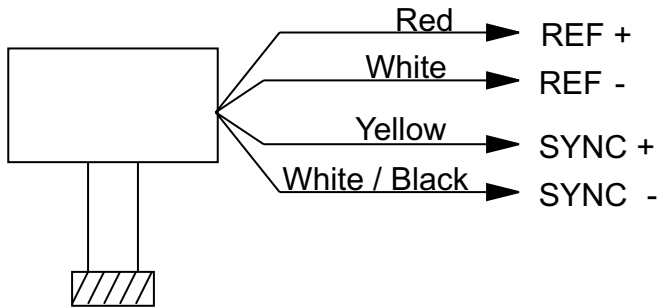
IMPORTANT Completely remove 2 teeth from the 3 tooth wheel (Leave the tooth for cylinder 1)

| | | | | | | |
|--------------------|---------|----------------------|---|--|--|--|
| Engine Type | | Charade Turbo | | | | |
| Pinout Type | | A | | | | |
| Setup | M4 Only | rfSn | 2 | | | |
| | | SYSn | 2 | | | |
| | rEF | 14 | | | | |
| | cr t | 12 | | | | |
| | criP | 5 | | | | |

M800 (M880) ECU



IMPORTANT Completely remove 2 teeth from the 3 tooth wheel
(Leave the tooth for cylinder 1)



Pinout Type A

| | | | | |
|--------------------|----------------------|--|--|--|
| Engine Type | Charade Turbo | | | |
| Pinout Type | A | | | |

Sensor Setup - REF/SYNC Sensor Setup

| | | | | |
|--------------------|----------|--|--|--|
| REF Sensor Type | Magnetic | | | |
| REF Sensor Edge | Fall | | | |
| REF Sensor Filter | 1.0 | | | |
| SYNC Sensor Type | Magnetic | | | |
| SYNC Sensor Edge | Fall | | | |
| SYNC Sensor Filter | 1.0 | | | |

General Setup - Main Setup

| | | | | |
|----------------------|----|--|--|--|
| REF / SYNC Mode | 2 | | | |
| Crank Ref Teeth | 12 | | | |
| Crank Index Position | 5 | | | |

Magnetic Sensor Tables (Sensor Setup - Ref / Sync Setup)

| | | | | | | |
|----------------------|-----|-----|------|------|------|--------------|
| REF / SYNC RPM Site | 0 | 500 | 1000 | 7000 | 7000 | RPM |
| Ref Magnetic Levels | 0.2 | 1.0 | 2.0 | 2.0 | N/A | Volts |
| SYNC Magnetic Levels | 0.2 | 1.0 | 2.0 | 2.0 | N/A | Volts |

Note: Magnetic Sensor levels may need to be adjusted in some applications

MoTeC

Title **Dihatsu 24 + 3 Tooth Magnetic**

Date 09/02/2001 Drawn ST App Products ECU

Sheet No Drawing No

2 of 2 **T20**