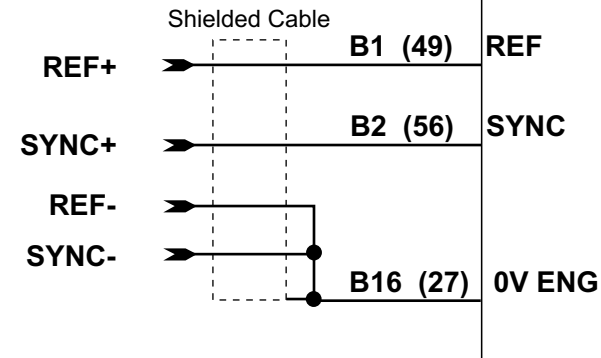
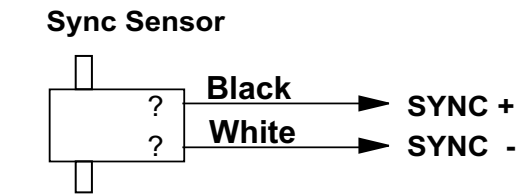
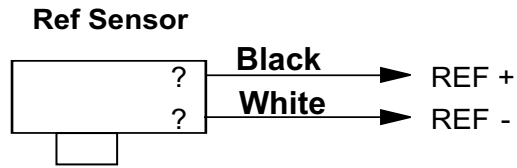


Engine Type		EJ20				
Setup	M4 Only	rfSn	2			
		SYSn	2			
	rEF	154				
	cr t	6				
	criP	604				

### M800 (M880) ECU



<b>Engine Type</b>	<b>Ej20</b>			
<b>Pinout Type</b>				

#### Sensor Setup - REF/SYNC Sensor Setup

REF Sensor Type	Magnetic			
REF Sensor Edge	Fall			
REF Sensor Filter	1.0			
SYNC Sensor Type	Magnetic			
SYNC Sensor Edge	Fall			
SYNC Sensor Filter	1.0			

#### General Setup - Main Setup

REF / SYNC Mode	15			
Crank Ref Teeth	6			
Crank Index Position	604			

#### Magnetic Sensor Tables (Sensor Setup - Ref / Sync Setup)

REF / SYNC RPM Site	0	500	1000	7000	7000	<b>RPM</b>
Ref Magnetic Levels	0.2	1.0	2.0	2.0	N/A	<b>Volts</b>
SYNC Magnetic Levels	0.2	1.0	2.0	2.0	N/A	<b>Volts</b>

**Note:** Magnetic Sensor levels may need to be adjusted in some applications

**MoTeC**

**Title Subaru Magnetic Sensor**

**Sheet No**

**Drawing No**

**Date** 09/02/2001

**Drawn** ST

**App**

**Products** ECU

**2 of 2**

**T22**