

Looking into connectors on the Sensors

### M800 / M880 Setup

General Setup	
Main Setup	
REF / SYNC Mode	23
Crank Index Position	455

Sensor Setup	
REF/SYNC Sensor Setup	
REF Sensor Type	HALL
REF Sensor Edge	Fall
REF Sensor Filter	0.5
SYNC Sensor Type	HALL
SYNC Sensor Edge	Rise
SYNC Sensor Filter	0.5

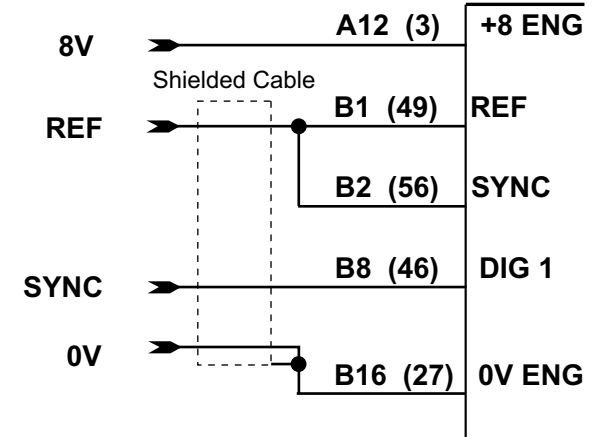
No Setup Required for Digital 1 Input

### M4-8 ECU Setup

General SETUP	rSn	1
	SYSn	3
	rEF	233
	crip	455

No Setup Required for Digital 1 Input

### M800 (M880) ECU



### M4-8 ECU

