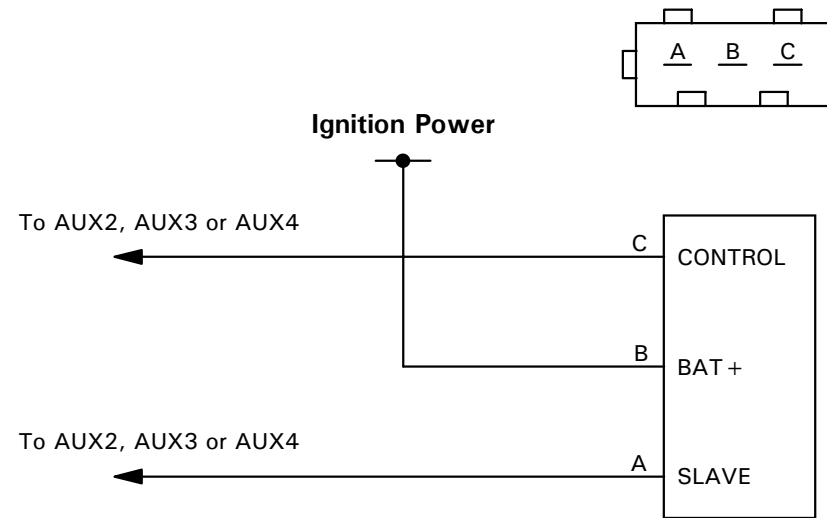
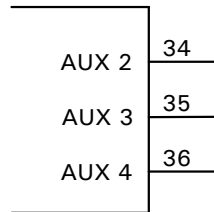


Coil Resistance : 10 Ohms

M4 - ECU (Not M4-8 ECU)



Software Version	V3.0 or Higher
Options Required	Advanced Tuning

AUX Output Functions	Output Connected connected to CONTROL pin	Idle Speed Control
	Output Connected connected to SLAVE pin	Idle Slave

Idle Control Parameters	Min Duty	0
	Max Duty	60
	Frequency	200