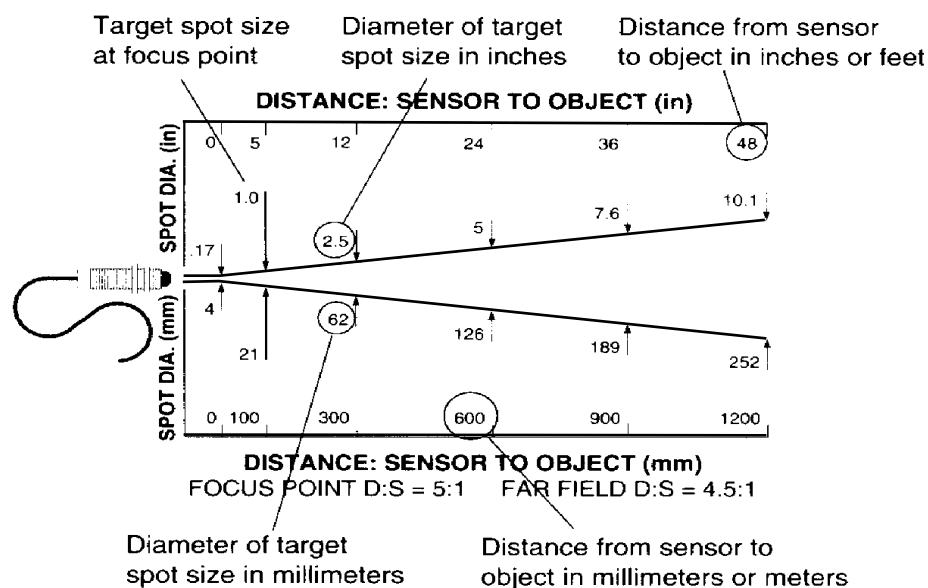


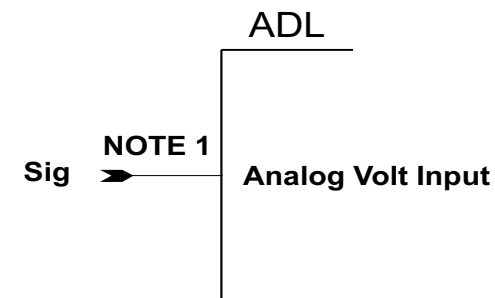
Lens Cleaning

Keep the lens clean at all times. Blow off loose particles with clean compressed air then wipe surface with a moist cotton swab with water or water-based glass cleaner.

DO NOT USE SOLVENTS



Focus Point D:S = Distance to spot divided by spot diameter at the focus point
Far Field D:S = Ratio at distances greater than 10x the focus distance



NOTE 1:
 Analog Volt Input Pins are 1, 2, 3, 4, 5, 19, 20, 21, 22, 23, 24, 25, 26, 45, 46, 47, 48, 49, 50

ADL Setup

Channel Assignments

Assign the temperature Channel to the appropriate pin.

Sensor Calibration

0 volt = 0 deg C. and 3.5 volt = 350 deg C.

MoTeC

Title **IR TEMP SENSOR #52004**

Date 17/05/2000 Drawn ST App AD Products ADL

Sheet No Drawing No

1 of 1

X23